

Ambience Roller Blind

Product Information

Ambience Roller Blind offers a robust system utilising the new generation hardware system, the Ambience Roller Blind incorporates many advanced features such as spring assist, easy installation and a range of accessories.

The Ambience Roller Blind is suitable for both commercial and residential use, available as either chain control or motorised operation.

Further Information

To find out more information phone Verosol Customer Care on 1800 721 404 or visit www.verosol.com.au



Technical Information

Product Code	R200.0	
Product Name	Ambience Roller Blind	
Operation	Stainless Steel Chain Operation	
Dimensions	Width	300mm minimum - 3000mm maximum
	Drop	300mm minimum - 3000mm maximum
	Spring Assist	850mm minimum width
	Maximum Area	6m ² without spring assist / 8m ² with spring assist
Roller Tube	Light	43mm - optimised for fabric weight and width of blind to reduce tube deflection
	Standard	44mm - optimised for fabric weight and width of blind to reduce tube deflection
	Heavy Duty	49mm - optimised for fabric weight and width of blind to reduce tube deflection
Base Rail Options	Flat [11mm x 22mm], Round [22mm], Verosol [17mm x 28mm] or Elliptical [11mm x 22mm]	
	Colours	Paint: White, Black and Barley Anodised: Clear
Control	Mechanism	Direct action, high tensile steel spring which operated in such a way that it only applies the precise braking power necessary to keep the blind in the desired position.
	Idler	Extendable pin idle-end for easy installation. The idle-end extends up to 10mm in increments of 1mm for improved installation.
	Colours	Paint: White, Black, Barley and Silver Grey
	Chain	PVC, Nickel Plated Steel or Stainless Steel
Brackets	Material	Press formed steel, pre-treated and powder coated
	Colours	White, Black, Barley and Silver Grey

Turn over for motorisation and optional extras

Ambience Roller Blind

Motorisation

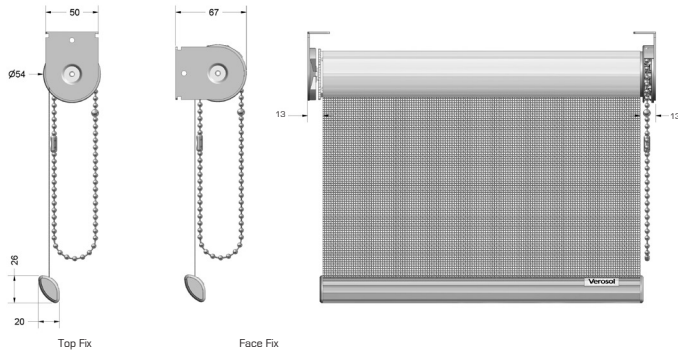
Product Code	R200.2	R200.6
Product Name	Ambience Roller Blind	Ambience Roller Blind
Operation	7V Battery Operated	24V AC Motorised
Dimensions	Width: 600mm minimum - 3000mm maximum	Width: 600mm minimum - 3000mm maximum
	Drop: 300mm minimum - 3000mm maximum	Drop: 300mm minimum - 3000mm maximum
	Maximum Area: 4m ²	Maximum Area: 9m ²
Roller Tube	Light	43mm - optimised for fabric weight and width of blind to reduce tube deflection
	Standard	44mm - optimised for fabric weight and width of blind to reduce tube deflection
	Heavy Duty	49mm - optimised for fabric weight and width of blind to reduce tube deflection

Optional

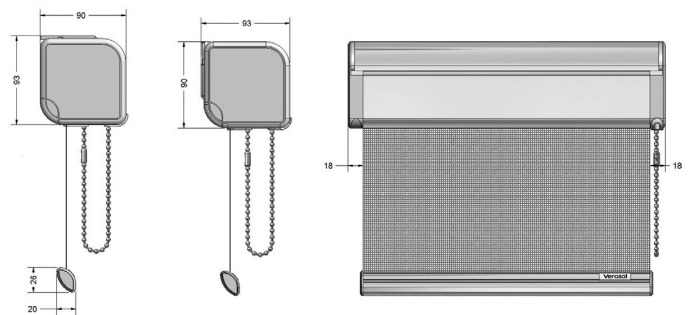
Guide Wires	Angle	15° angle from vertical	
	Maximum Area	6m ²	
Headbox Options	Type	QS8 Cassette Headbox	90mm Round Front Cover
	Material	Extruded Aluminium Alloy [T5 Temper]	
	Dimensions	90mm x 90mm	87mm x 90mm
	Maximum	4800mm maximum width	
	Colours	White and Clear Anodised	White, Black, Barley and Clear Anodised

System Diagrams

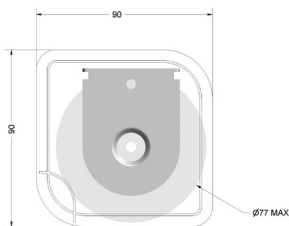
Ambience Roller Blind



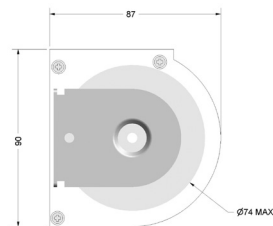
Ambience Roller Blind with Headbox



QS8 Cassette



90mm Round Front Cover



Fascia

