

## Mode Skylight

### Product Information

**Mode Skylight** is elegant in appearance, Verosol's Mode Skylight Roller Blind is the answer to a premium skylight blind.

The unique system can be applied in all skylight applications merging sleek modern design with functionality. Perfect for small skylight windows covering a maximum area of 4m square. Incorporating a tuned counter-balancing spring, providing exceptional ease of operation.

With the use of unique stainless steel components merged into a sleek modern design, this makes the Mode Skylight Roller blind one of the most exclusive roller blinds in the market.

### Further Information

To find out more information phone Verosol Customer Care on 1800 721 404 or visit [www.verosol.com.au](http://www.verosol.com.au)



### Technical Information

Product Code	R207.3	
Product Name	Mode Skylight	
Operation	Wand Operation / Cord Operation	
Dimensions	Width	600mm minimum - 2000mm maximum
	Drop	500mm minimum - 2000mm maximum
	Maximum Area	4m <sup>2</sup>
		From 0° horizontal to 90° vertical
Top Mounting Profile	Material	Extruded Aluminium Alloy
	Dimensions	36mm W x 11mm H
	Colours	Anodised: Clear
Roller Tube	Standard	36mm tube diameter
Base Rail	Round [22mm]	
	Colours	Paint: White
Control	Mechanism	Chain drive is die cast zinc in a brushed alloy finish. Chain drive is assisted by a counter balancing spring, ensuring smooth and consistent operation.
	Colours	Grey
	Cord	Skylight Cord Kit - White
Brackets	Material	Spring loaded electroplated steel
	Colours	Silver

Turn over for optional extras

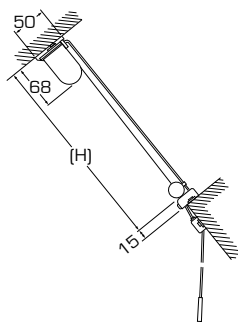
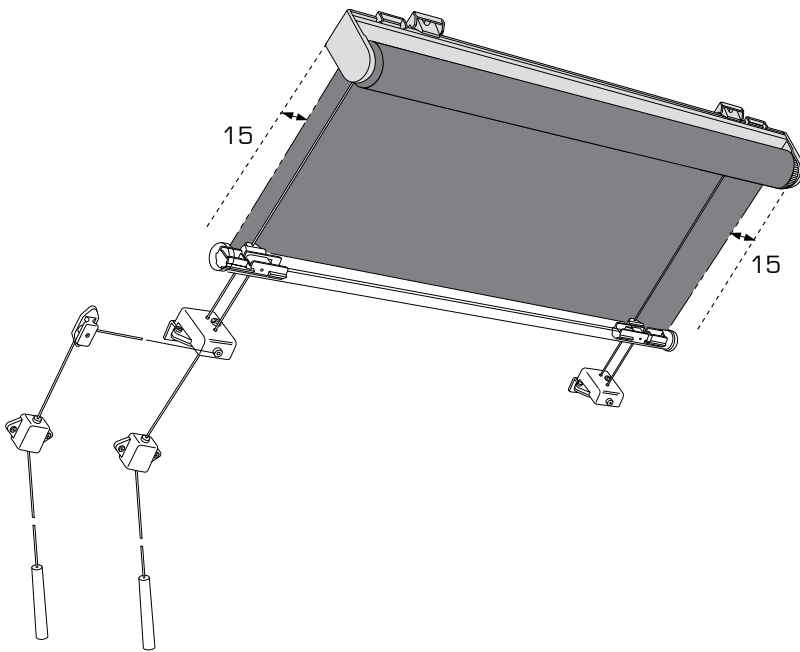
# Mode Skylight

Optional

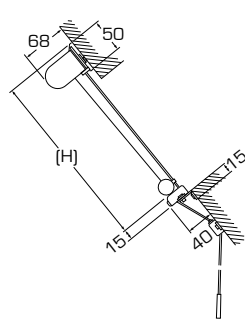
Guide Wires	Type	Two piece guide inclusive mounting frame and snap into side guide
	Material	Extruded Aluminium Alloy [T5 Temper]
	Dimensions	25mm D x 55mm W
	Fixing	Side or Face Fix

## System Diagrams

### Mode Skylight



Top Fix



Face Fix

Visit [Verosol Price List](#) for more system diagrams