

Ambience Aluminium Shutter

Product Information

The **Ambience Aluminium Shutter** has been designed for the Australian market and incorporates a number of quality features that are unrivalled in the market. The Ambience Aluminium shutter features a light weight frame with an aluminum control rod which allows for full closure of the blades in two positions. The control rod on this shutter is positioned on the back of the shutter giving the appearance of clean cut lines.

The Aluminium shutter offers sleek and subtle lines usually associated with internal products thus creating a consistent smooth transition from indoor to outdoor when combined with our Timber Shutter range. A range of functional, quality hardware is supplied with this shutter providing the complete package for your customer.

Further Information

To find out more information phone Verosol Customer Care on 1800 721 404 or visit www.verosol.com.au



Technical Information

Product Code	S211.0				
Product Name	Ambience Aluminium Shutter				
Operation	Blade Operation				
Dimensions - Width Range	Single Shutter	400mm Minimum - 870mm Maximum			
	Hinged Shutter	400mm Minimum - 1200mm Maximum			
	Double Hinged	400mm Minimum - 600mm Maximum			
	Sliding Shutter	700mm Minimum - 1200mm Maximum			
	Bi-Fold Shutter	400mm Minimum - 700mm Maximum			
Dimensions - Height Range	Single, Sliding and Bi-Fold	600mm Minimum - 3600mm Maximum			
	Single, Hinged and Sliding	400mm Minimum - 3600mm Maximum			
Max Area	Single, Hinged and Sliding	4.32m ²			
	Double Hinged	2.16m ²			
	Bi-Fold	2.53m ²			
Elliptical Blade Size	Width	64mm	89mm	115mm	
	Reveal Depth	Z Frame	38mm	51mm	64mm
		L Frame	54mm	67mm	79mm
Fixed / Multi-Fold		54mm	67mm	79mm	
	Material	Aluminium alloy with stove-enamelled finish			
Operation	Single, Hinged, Double Hinged, Sliding and Bi-fold Systems				
Mid Rail Position	Mandatory for all shutters over 2000mm in drop, a second is required for drops over 3000mm				
	Specify height of mid rail to centre and note if critical mid rail height is required				
	Blades spanning over 1200mm in drop will have a control rod split in half - specify if you require the split at a specific height				

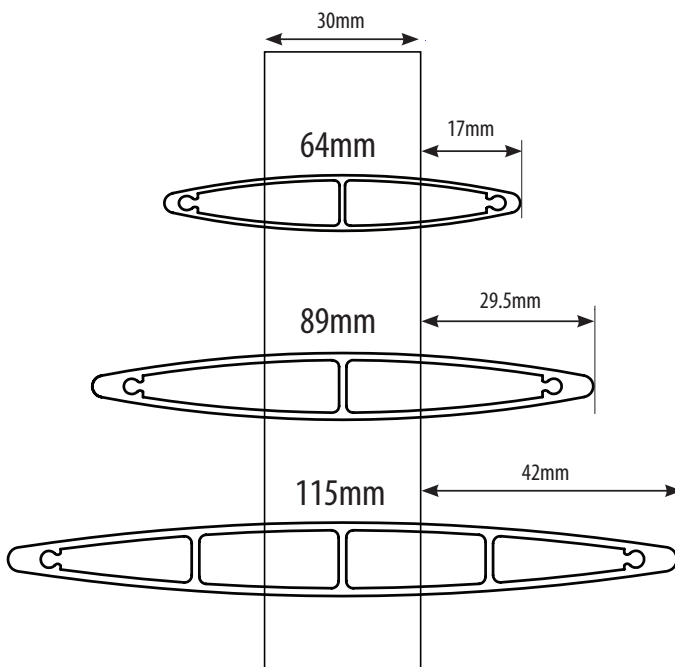
Turn over for more details

Ambience Aluminium Shutter

Technical Information

Control and Handle	Type	Aluminium Control Rod
	Operation	Operation by rod or blades
Finishes	Timber Grain	Golden Oak, Light Cedar, Lime Wash and Walnut (not available in 115mm blade option)
	Powder Coated	White, Pearl, Silver and Black
	Special Order	Special paints can be made to order, refer to Specifier 2 Dulux fan deck
Installation	The installation of shutters externally may require the services of a qualified technician	

Aluminium Shutter Blade Range



Visit [Verosol Price List](#) for more system diagrams