

# Ambience Blackout Multi-Link Roller System

## Product Information

### Ambience Blackout Multi-Link Roller System

is Ideal for home theatres, conference rooms, bedrooms or wherever total privacy is required.

Operate multiple blinds for larger window spans with a single chain, eliminating unsightly cords. The result is better light control and greater privacy.

The system is also available as motorised, with one tubular motor driving multiple sections. Can be easily upgraded from chain to motorised at any time.

This system is complete with side guide channels, cassette style head box and intermediate blackout channels.

## Further Information

To find out more information phone Verosol Customer Care on 1800 721 404 or visit [www.verosol.com.au](http://www.verosol.com.au)



## Technical Information

<b>Product Code</b>	R206.0	
<b>Product Name</b>	Ambience Blackout Multi-Link Roller Blind	
<b>Operation</b>	Stainless Steel Chain Operation	
<b>Dimensions</b>	Width	500mm minimum - 3000mm maximum
	Drop	500mm minimum - 3000mm maximum
	Spring Assist	850mm minimum width
	Maximum Area	6m <sup>2</sup> without spring assist / 8m <sup>2</sup> with spring assist
<b>Roller Tube</b>	Light	43mm - optimised for fabric weight and width of blind to reduce tube deflection
	Standard	44mm - optimised for fabric weight and width of blind to reduce tube deflection
	Heavy Duty	49mm - optimised for fabric weight and width of blind to reduce tube deflection
<b>Base Rail</b>	Standard	Flat Base Rail [11mm x 22mm]
	Colours	Paint: White, Black and Barley Anodised: Clear
<b>Control</b>	Mechanism	Direct action, high tensol would steel spring which operated in such a way that it only applies the precise braking power necessary to keep the blind in the desired position.
	Idler	Extendable pin idle-end for easy installation. The idle-end extends up to 10mm in increments of 1mm for improved installation.
	Colours	Paint: White, Black, Sandstone and Silver Grey
	Chain	PVC, Nickel Plated Steel or Stainless Steel
<b>Brackets</b>	Material	Press formed steel, pre-treated and powder coated
	Colours	White, Black, Standstone and Silver Grey

Turn over for motorisation and optional extras

# Ambience Blackout Multi-Link Roller System

## Motorisation

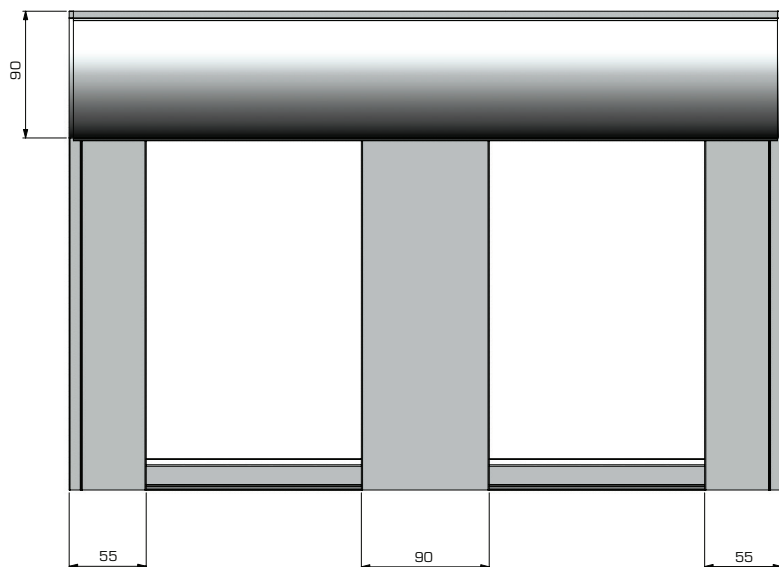
Product Code	R206.6	
Product Name	Ambience Blackout Multi-Link Roller Blind	
Operation	240V AC Motorised	
Dimensions	Width	600mm minimum - 3000mm maximum
	Drop	500mm minimum - 3000mm maximum
	Maximum Area	9m <sup>2</sup>
Roller Tube	Light	43mm - optimised for fabric weight and width of blind to reduce tube deflection
	Standard	44mm - optimised for fabric weight and width of blind to reduce tube deflection
	Heavy Duty	49mm - optimised for fabric weight and width of blind to reduce tube deflection

## Optional

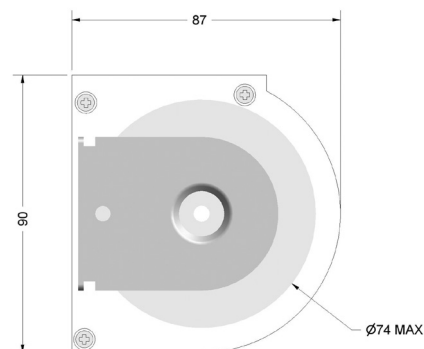
Side and Intermediate Guides	Type	Two-piece guide inclusive mounting frame and snap in guide
	Material	Extruded Aluminium Alloy [T5 Temper]
	Dimensions	25mm D x 55mm W
	Fixing	Side Fix or Face Fix
Headbox	Type	ACM Headbox
	Material	Extruded Aluminium Alloy [T5 Temper]
	Dimensions	87mm x 90mm
	Colours	White, Black, Barley and Clear Anodised

## System Diagrams

Ambience Blackout Multi-Link Roller Blind



ACM Headbox



Visit Verosol Price List for more system diagrams