

R200.0 Ambience Roller Blind

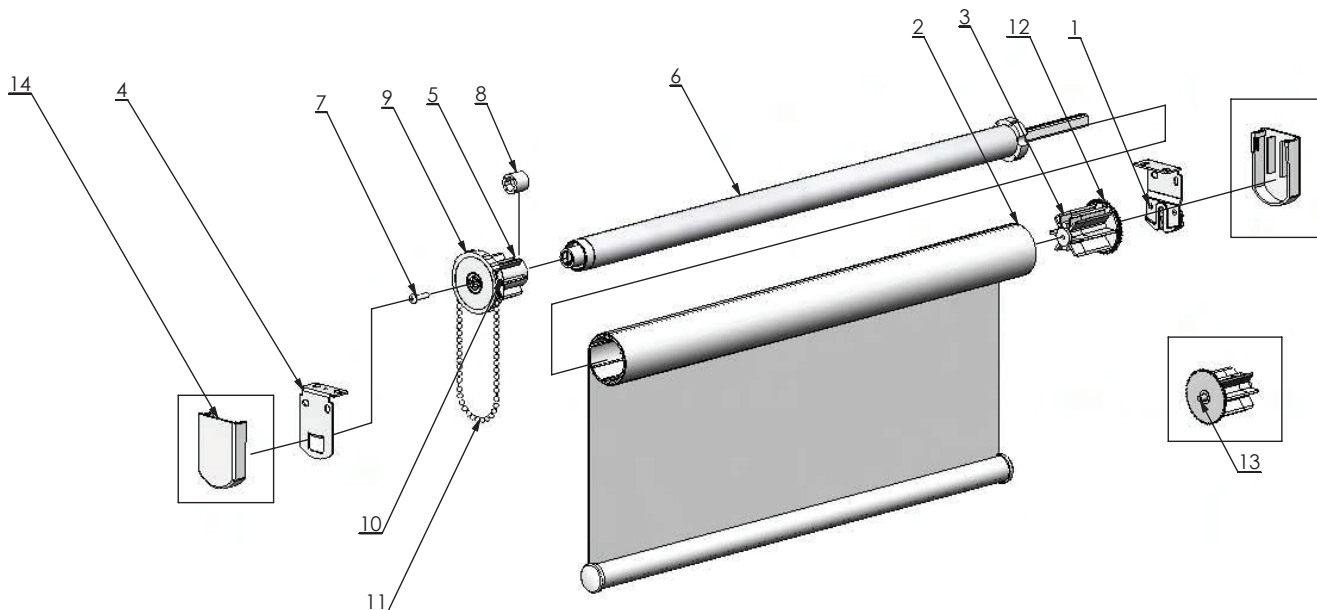
Product and Installation Guide

Available Sizes:

R200.0 Ambience Roller Blind [Stainless Steel Operation]					
Width [w]		Drop [d]		Maximum Area	Maximum Area
Minimum	Maximum	Minimum	Maximum	6m ² without Spring Assist	8m ² with Spring Assist
300mm	3000mm	300mm	3000mm		

R200.6 Ambience Roller Blind [Motorised Operation]				
Width [w]		Drop [d]		Maximum Area
Minimum	Maximum	Minimum	Maximum	9m ²
600mm	3000mm	300mm	3000mm	

Product Breakdown:



	DESCRIPTION	QTY
1	Idle End Bracket	2
2	Blind	2
3	Auto-Idler	1
4	Chain Winder / Control Bracket	1
5	Chain Winder	2
6	Easy-Lift Retrofit Spring Booster	1
7	Chain Winder Screw	1

	DESCRIPTION	QTY
8	Chain Winder End Cap	1
9	Chain Winder Cover	1
10	Chain Wheel	1
11	Chain	1
12	Auto-Idler Wheel	1
13	Auto-Idler Pin	1
14	Bracket Cover (Optional)	2