

Ambience Aluminium Shutter

Product Information

The **Ambience Aluminium Shutter** has been designed for the Australian market and incorporates a number of quality features that are unrivalled in the market. The Ambience Aluminium shutter features a light weight frame with an aluminium control rod which allows for full closure of the blades in two positions. The control rod on this shutter is positioned on the back of the shutter giving the appearance of clean cut lines.

The Aluminium shutter offers sleek and subtle lines usually associated with internal products thus creating a consistent smooth transition from indoor to outdoor when combined with our Timber Shutter range. A range of functional, quality hardware is supplied with this shutter providing the complete package for your customer.

Further Information

To find out more information phone Verosol Customer Care on 1800 721 404 or visit www.verosol.com.au



Technical Information

Product Code	S211.0			
Product Name	Ambience Aluminium Shutter			
Operation	Blade Operation			
Dimensions - Width Range		No Frame	L Frame	Z Frame
	Single Shutter	400mm - 870mm	400mm - 870mm	400mm - 870mm
	Hinged Shutter	400mm - 870mm	400mm - 870mm	400mm - 870mm
	Double Hinged	400mm - 600mm	300mm - 400mm	300mm - 400mm
	Sliding Shutter	700mm Minimum - 1500mm Maximum		
	Bi-Fold Shutter	400mm Minimum - 700mm Maximum		
Dimensions - Height Range	Single, Sliding and Bi-Fold	600mm Minimum - 3600mm Maximum		
	Single, Hinged and Sliding	400mm Minimum - 3600mm Maximum		
Max Area	Single, Hinged and Sliding	4.32m ²		
	Double Hinged	2.16m ²		
	Bi-Fold	2.53m ²		
Minimum Reveal Depth	Blade Size	64mm	89mm	114mm
	Z Frame	38mm	51mm	64mm
	L Frame	54mm	67mm	79mm
	Fixed / Multi-Fold	54mm	67mm	79mm
Material	Aluminium alloy with stove-enamelled finish			
Operation	Single, Hinged, Double Hinged, Sliding and Bi-fold Systems			
Mid Rail Position	Mandatory for all shutters over 2000mm in drop, a second is required for drops over 3000mm			
	Specify height of mid rail to centre and note if critical mid rail height is required			
	Blades spanning over 1200mm in drop will have a control rod split in half - specify if you require the split at a specific height			

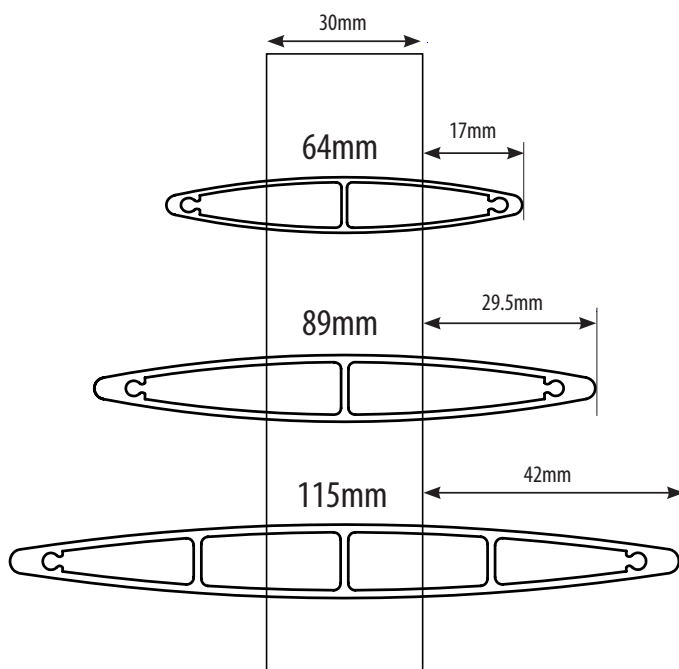
Turn over for more details

Ambience Aluminium Shutter

Technical Information

Control and Handle	Type	Aluminium Control Rod
	Operation	Operation by rod or blades
Finishes	Timber Grain	Golden Oak, Light Cedar, Lime Wash and Walnut [not available in 115mm blade option]
	Powder Coated	White, Pearl, Silver and Black
	Special Order	Special paints can be made to order, refer to Dulux World of Colour deck

Aluminium Shutter Blade Range



Powder Coat Colour Range



Timber Grain Veneers Colour Range

