

# Mode Roller Blind

## Product Information

**Mode Roller Blind** is elegant in appearance, Verosol's Mode Roller Blind is the answer to a premium roller blind.

Premium quality, feather-light operation, optimum gearing with a stainless steel chain. Incorporating a tuned counter-balancing spring, providing exceptional ease of operation.

With the use of unique stainless steel components merged into a sleek modern design, this makes the Mode Roller Blind one of the most exclusive roller blinds in the market.

## Further Information

To find out more information phone Verosol Customer Care on 1800 721 404 or visit [www.verosol.com.au](http://www.verosol.com.au)



## Technical Information

|                      |   |  |
|----------------------|---|--|
| Product Code         | R207.0  |  |
| Product Name         | Mode Roller Blind   |  |
| Operation            | Stainless Steel Chain Operation   |  |
|                      | 32mm Ball Chain   |  |
| Dimensions           | Width   | 600mm minimum - 2700mm maximum   |
|                      | Drop  | 500mm minimum - 3000mm maximum   |
|                      | Maximum Area  | 8m <sup>2</sup>  |
| Top Mounting Profile | Material  | Extruded Aluminium Alloy   |
|                      | Dimensions  | 36mm W x 11mm H  |
|                      | Colours   | Anodised: Clear  |
| Roller Tube          | Standard  | 36mm tube diameter   |
| Base Rail            | Round [22mm], Elliptical [11mm x 22mm], Flat [11mm x 22mm] or Verosol [17mm x 28mm] |  |
|                      | Colours   | Paint: White, Black and Standstone Anodised: Clear   |
| Control              | Mechanism   | Chain drive is die cast zinc in a brushed alloy finish. Chain drive is assisted by a counter balancing spring, ensuring smooth and consistent operation. |
|                      | Colours   | Grey   |
|                      | Chain   | Stainless Steel  |
| Brackets             | Material  | Spring loaded electroplated steel  |
|                      | Colours   | Silver   |

Turn over for optional extras

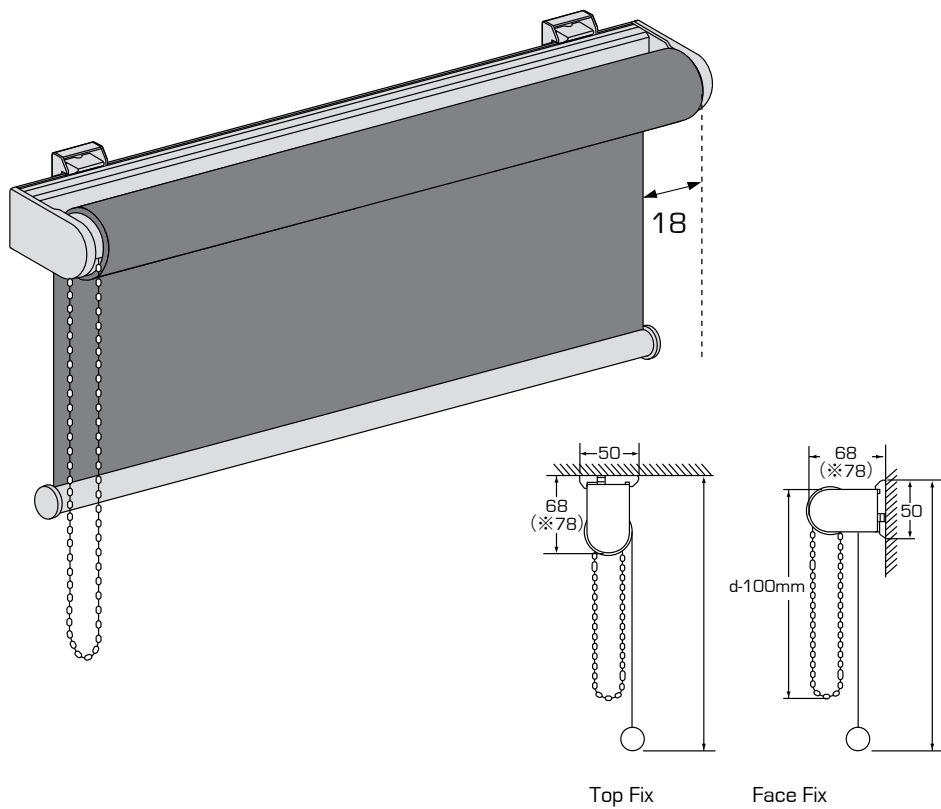
# Mode Roller Blind

## Optional

| Headbox Options | Type       | Mode Type 1                          | Mode Type 2                          |
|-----------------|------------|--------------------------------------|--------------------------------------|
|                 | Material   | Extruded Aluminium Alloy [T5 Temper] | Extruded Aluminium Alloy [T5 Temper] |
|                 | Dimensions | 84mm                                 | 108mm                                |
|                 | Colours    | White and Clear Anodised             | White and Clear Anodised             |

## System Diagrams

### Mode Roller Blind System



Visit Verosol Price List for more system diagrams