

Mode Skylight

Product Information

Mode Skylight is elegant in appearance, Verosol's Mode Skylight Roller Blind is the answer to a premium skylight blind.

The unique system can be applied in all skylight applications merging sleek modern design with functionality. Perfect for small skylight windows covering a maximum area of 4m square. Incorporating a tuned counter-balancing spring, providing exceptional ease of operation.

With the use of unique stainless steel components merged into a sleek modern design, this makes the Mode Skylight Roller blind one of the most exclusive roller blinds in the market.

Further Information

To find out more information phone Verosol Customer Care on 1800 721 404 or visit www.verosol.com.au



Technical Information

Product Code	R207.3	
Product Name	Mode Skylight	
Operation	Wand Operation / Cord Operation	
Dimensions	Width	600mm minimum - 2000mm maximum
	Drop	500mm minimum - 2000mm maximum
	Maximum Area	4m ²
	From 0° horizontal to 90° vertical	
Top Mounting Profile	Material	Extruded Aluminium Alloy
	Dimensions	36mm W x 11mm H
	Colours	Anodised: Clear
Roller Tube	Standard	40mm tube diameter Optimised for fabric weight and width of blind to reduce tube deflection
	Base Rail	Round [22mm]
	Colours	Paint: White
Control	Mechanism	Chain drive is die cast zinc in a brushed alloy finish. Chain drive is assisted by a counter balancing spring, ensuring smooth and consistent operation.
	Colours	Grey
	Chord	Skylight Cord Kit - White
Brackets	Material	Spring loaded electroplated steel
	Colours	Silver

Turn over for optional extras

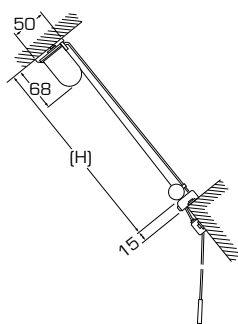
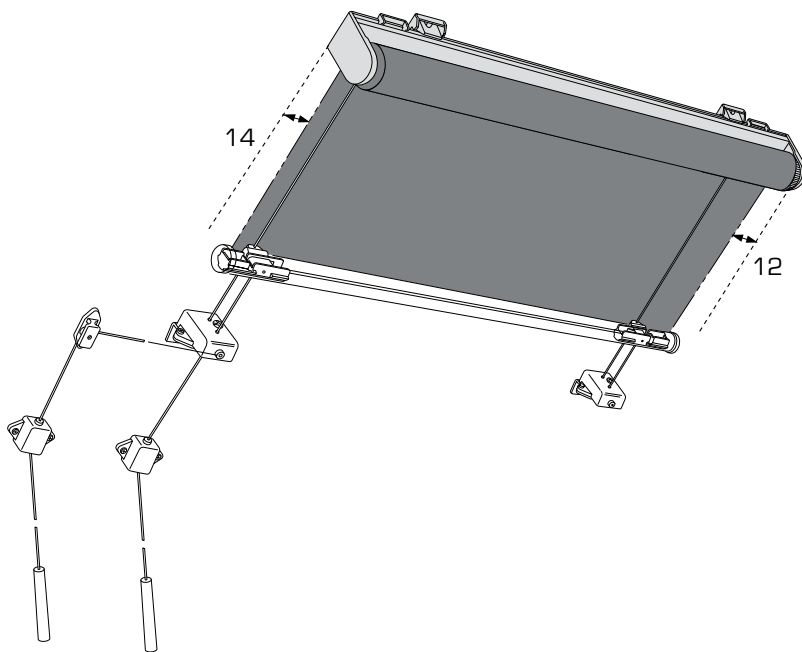
Mode Skylight

Optional

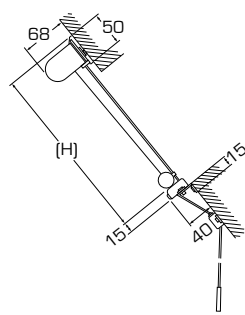
Guide Wires	Type	Two piece guide inclusive mounting frame and snap into side guide
	Material	Extruded Aluminium Alloy [T5 Temper]
	Dimensions	25mm D x 55mm W
	Fixing	Side or Face Fix

System Diagrams

Mode Skylight



Top Fix



Face Fix