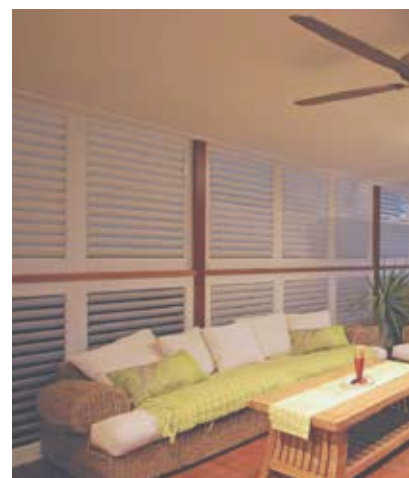


V.01.07.18

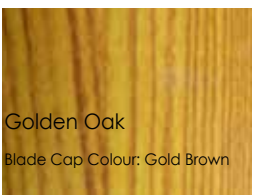
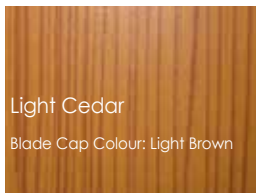
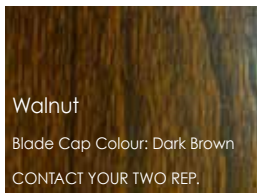
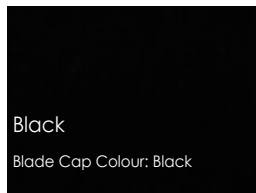
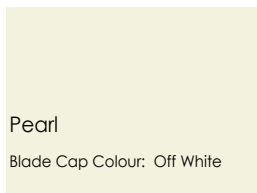
Verosol

AMBIENCE ALUMINIUM



COLOUR OPTIONS

There are four standard powdercoat finishes (40% sheen) along with four timber wraps which offer the look of the traditional timber shutter, with the durability of aluminum.



CUSTOM COLOUR FINISH

Choose from one of the many colours offered by Dulux. Please be sure to select from the below pictured specifier for accurate colour matching "to deck".

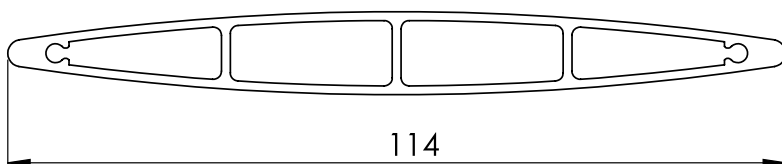
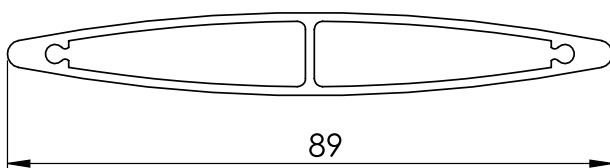
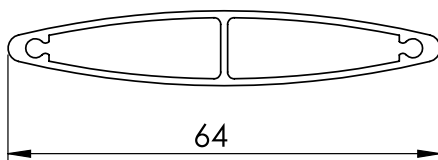


Please Note: Custom colour finishes are applied as a powdercoat. Blade end caps will be colour matched to the custom colour selected.

Powdercoat finishes will be applied with a standard satin finish at 40% sheen. For custom sheen finishes e.g. matte or gloss, surcharges will apply.

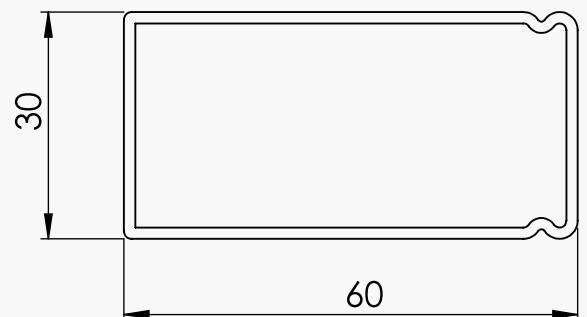
BLADES

Available in three blade sizes - 64mm, 89mm, and 114mm. Blade end caps are solid.

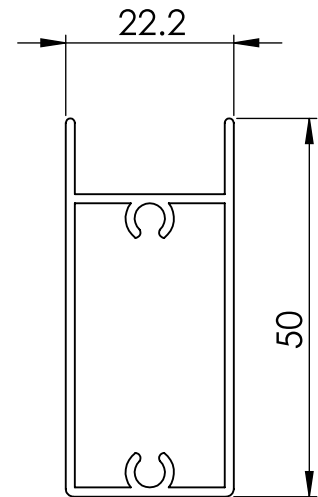
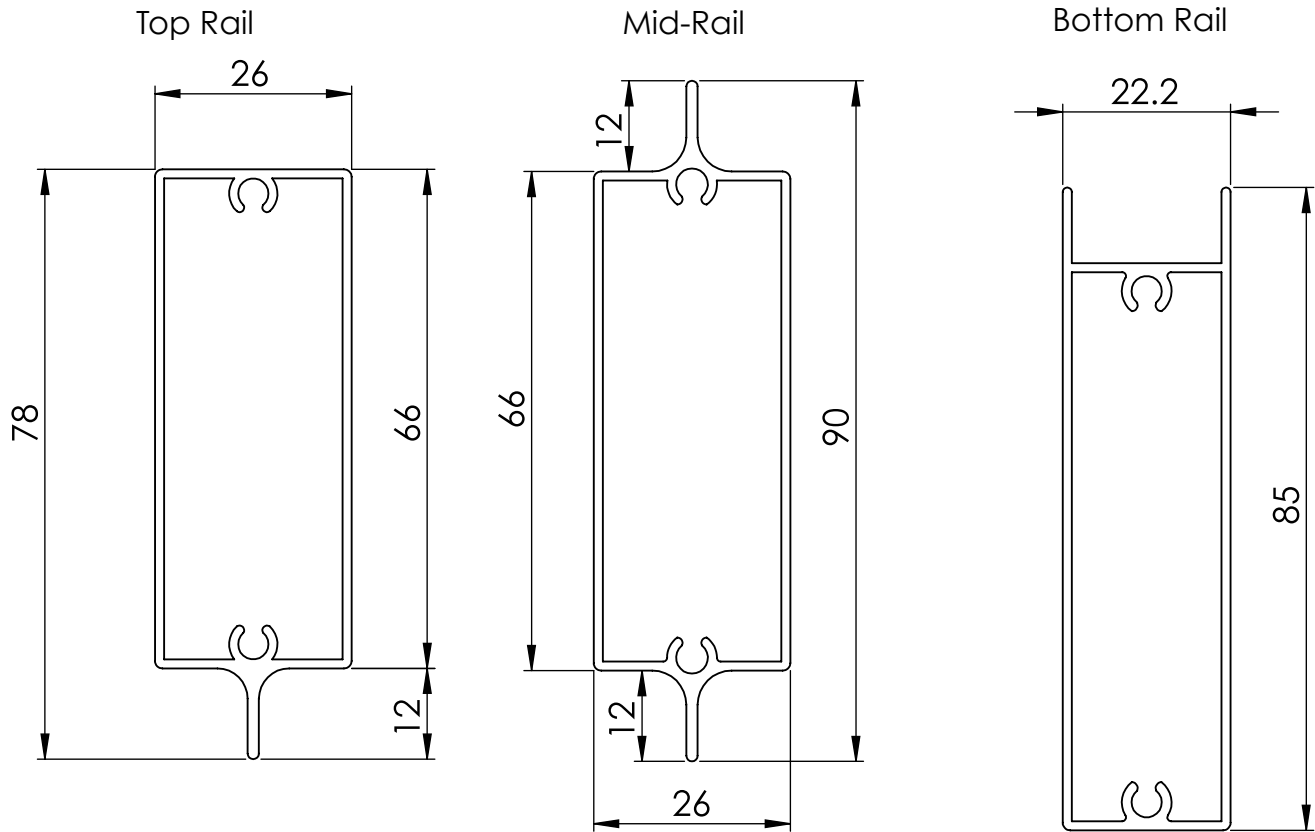


STILE

This product range offers a 60mm beaded stile.

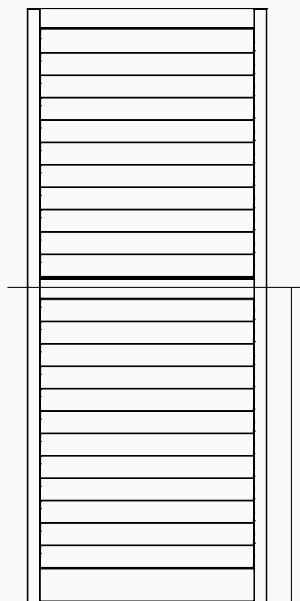


BOTTOM, MID & TOP RAILS



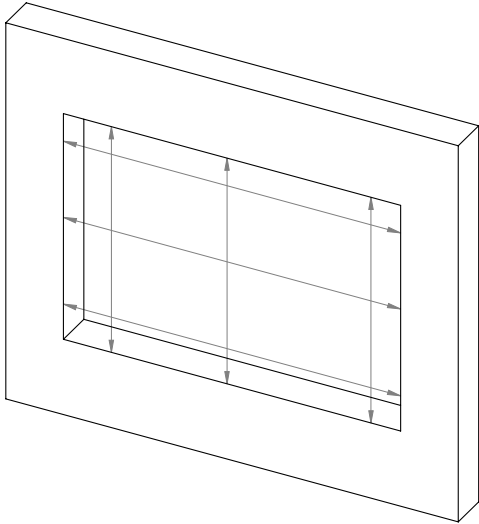
HOW TO MEASURE MID-RAIL HEIGHT

When measuring the mid-rail height it is important to measure to the center point of where you would like the mid-rail to be placed. As the mid-rail is the same size as an individual blade, it will be placed approximately +/- 25mm for the specified height.



HOW TO MEASURE

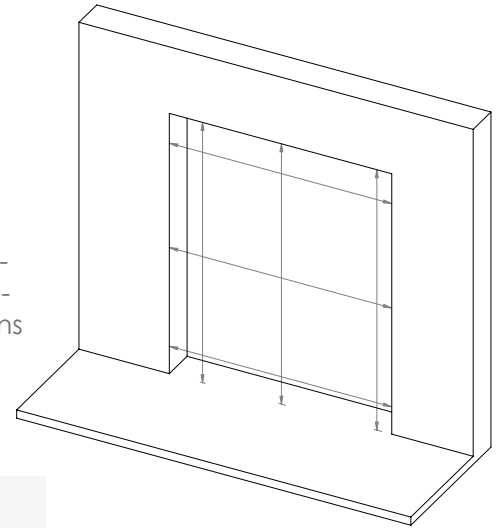
REVEAL (IN) MOUNT



Width Points of Measure:
Top, Center and Bottom

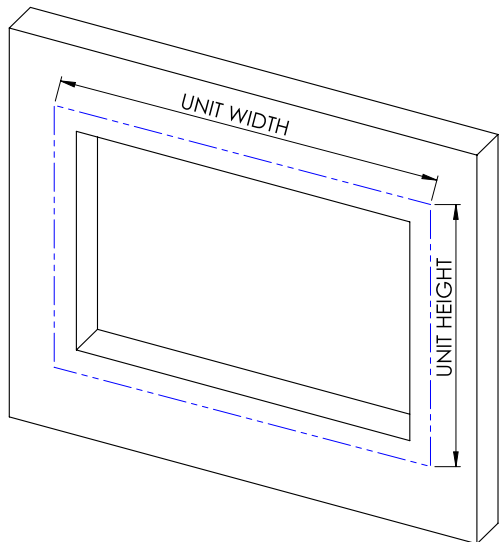
Height Points of Measure:
Left, Center and Right

For Reveal openings, enter the smallest width and height of the measurements taken. All standard deductions will be taken for the units to fit inside the opening.



MEASURING TIP:
Always measure your opening from left to right.

FACE (OUT) MOUNT

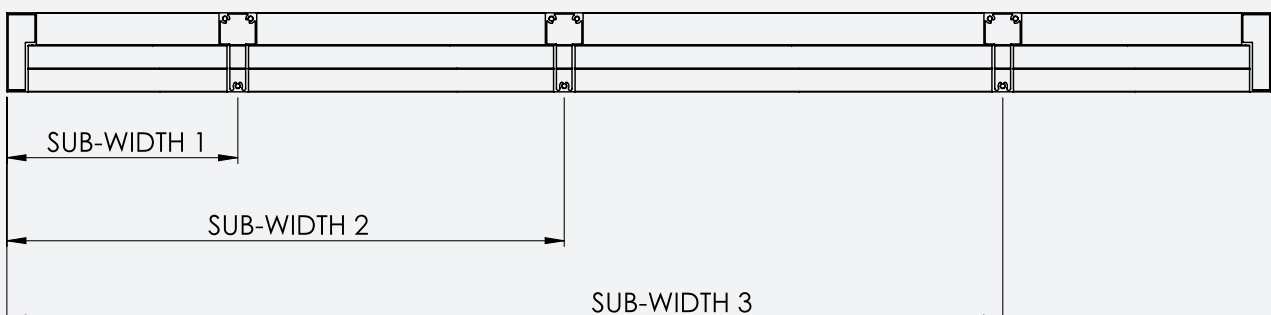


Width Points of Measure:
From the left to the right of the opening

Height Points of Measure:
From the top to the bottom of the opening

For Face Mount openings enter the width and height of the opening. No deductions will be taken. The measurements given will be from edge to edge including the frame.

SUB-WIDTHS: HOW TO MEASURE



INSTALLATION METHOD: HINGED NO FRAME



BEFORE YOU ORDER:

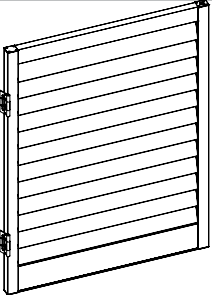
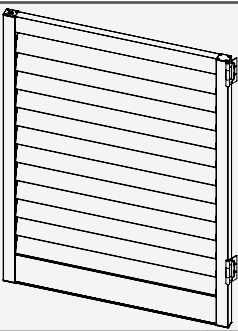
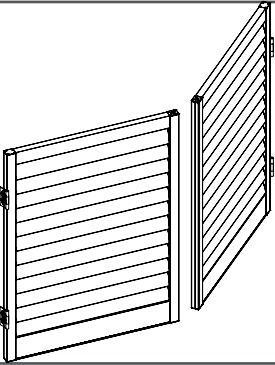
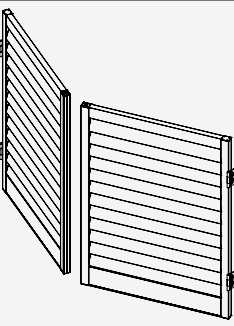
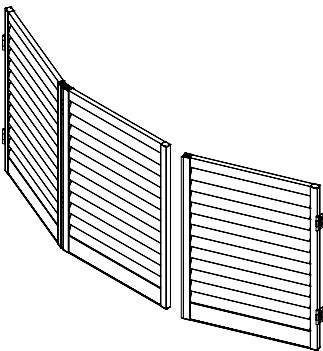
WARRANTY LIMITS

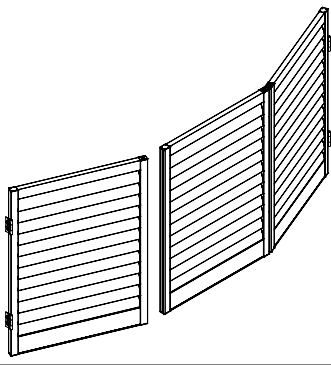
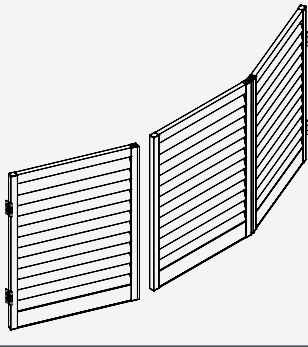
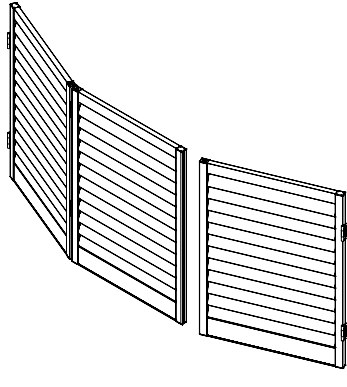
Installation Method	Width			Height			Panel Breaks			
	Min	Max	Max Non Warranty	Min	Max	Max Non Warranty	Mid-Rail(s) Required	Approximate Split Rotation by Blade Size		
								64	89	114
Hinged No Frame	200	870	900	400	3400	N/A	2000, 3000	1000	1200	1200
Double Hinged	200	400	450	400	3400	N/A	2000, 3000	1100	1200	1200

DEDUCTIONS

Panel and Reveal	Between Meeting Panels	Between Meeting Panels with D Mould	Hinge Deductions	Overall Panel Deduction for Non-Mortise Hinged
2.5	2.5	5	2.5	5

PANEL CONFIGURATIONS

Drawing	Panel Configuration Code
	L - 1
	R - 1
	L-DR - 2
	LD-R - 2
	LL-DR - 3

Drawing	Panel Configuration Code
	L-DRR - 3
	LD-RR - 3
	LLD-R - 3

Available Mounts - Reveal (In)

INSTALLATION METHOD: HINGED IN L OR Z FRAME



BEFORE YOU ORDER:

WARRANTY LIMITS

Installation Method	Width			Height			Panel Breaks			
	Min	Max	Max Non Warranty	Min	Max	Max Non Warranty	Mid-Rail(s) Required	Approximate Split Rotation by Blade Size		
								64	89	114
Hinged IN Frame	200	870	900	400	3400	N/A	2000, 3000	1000	1200	1200
Double Hinged	200	400	450	400	3400	N/A	2000, 3000	1100	1200	1200

MINIMUM REVEAL DEPTH*

*Be sure to always measure from the most protruding object in the reveal.

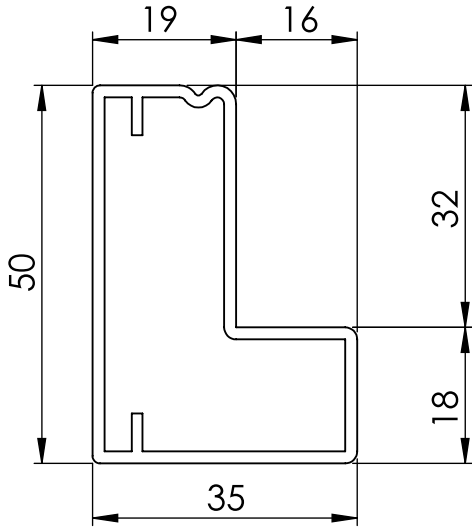
Installation Method	Clearance 64mm Blade	Clearance 89mm Blade	Clearance 114mm Blade
L Frame	54	67	79
Z Frame	38	51	64

DEDUCTIONS

Panel and Reveal	Between Meeting Panels	Between Meeting Panels with D Mould	Between Panel and Frame	Between Frame and Reveal	Hinge Deductions	Overall Panel Deduction
2.5	2.5	5	2.5	2	2.5	5

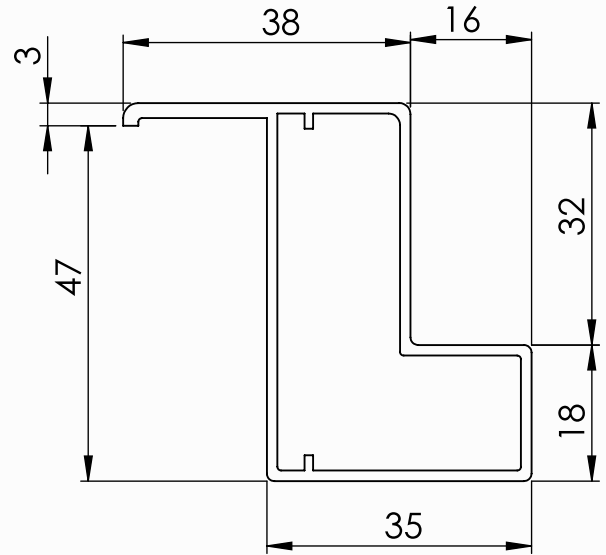
FLAT L 50MM FRAME

Available Mounts - Reveal (In) and Face (Out)



FLUSH MOUNT Z FRAME

Available Mount - Reveal (In)

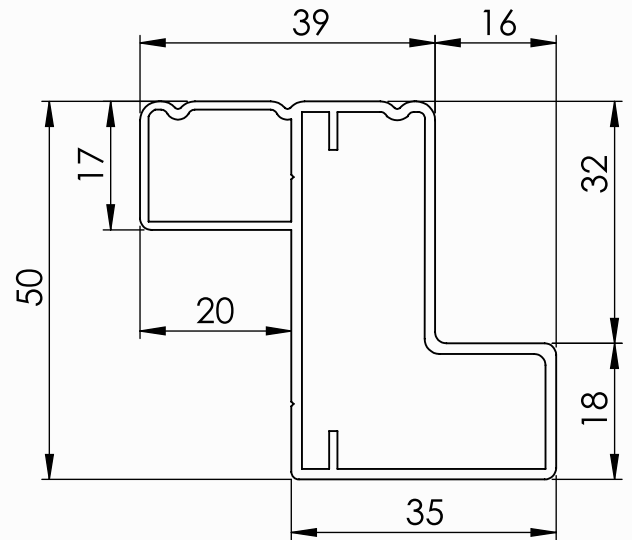
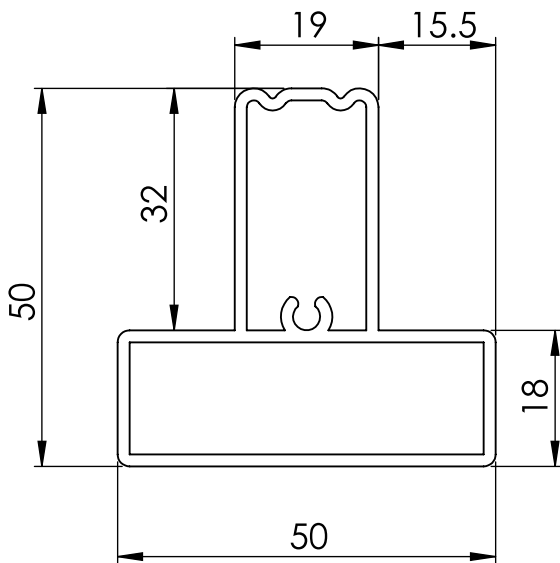


NOTE: This frame is not available in timber wrap colours.

T POST

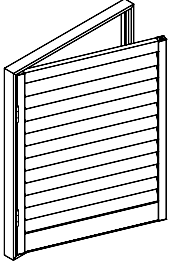
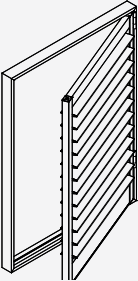
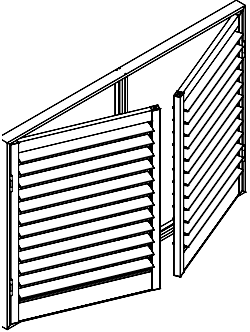
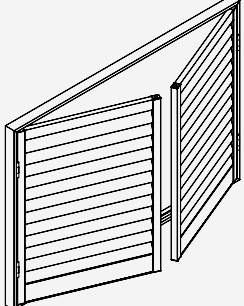
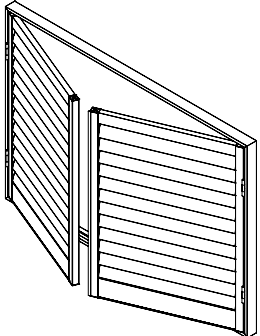
STANDARD Z FRAME

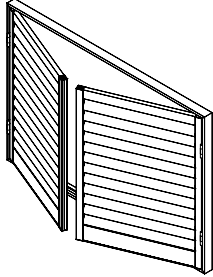
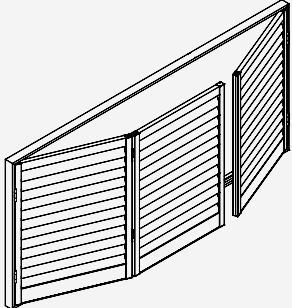
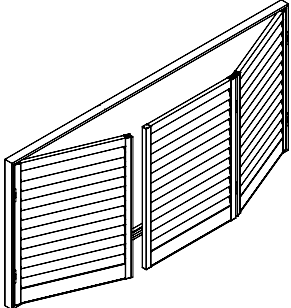
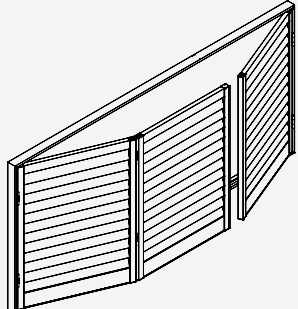
Available Mount - Reveal (In)



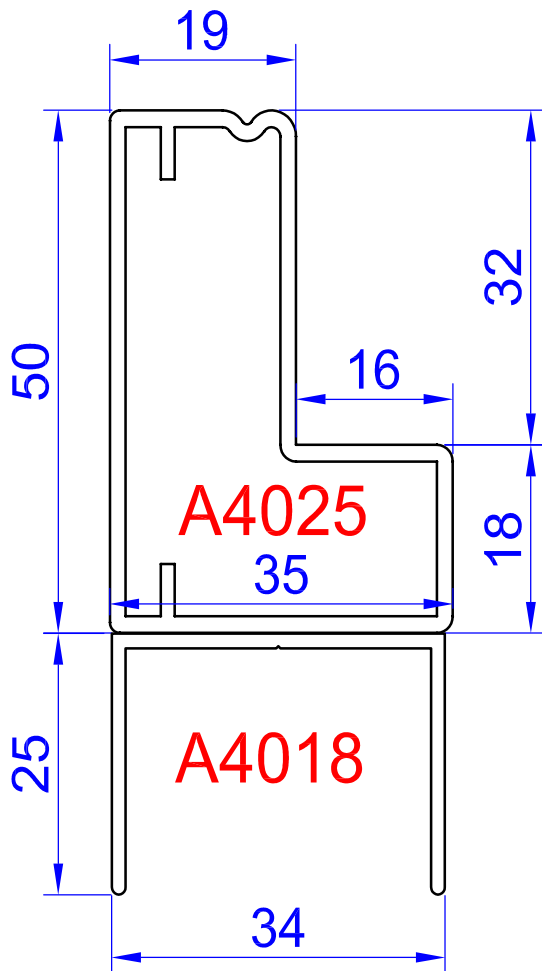
NOTE: This frame is not available in timber wrap colours.

PANEL CONFIGURATIONS

Drawing	Panel Configuration Code
	L - 1
	R - 1
	LTR - 2
	LR - 2
	L-DR - 2

Drawing	Panel Configuration Code
	LD-R - 2
	LL-DR - 3
	LD-RR - 3
	LLD-R - 3

FRAME BUILDOUT FOR L FRAME ONLY, OUTSIDE MOUNT



To allow for full rotation of blades on a outside mount L frame the following channel sizes can be added to the back of the frame.

- 89mm Blade = 25mm Channel
- 114mm Blade = 50mm Channel

INSTALLATION METHOD: FIXED IN CHANNEL



BEFORE YOU ORDER:

WARRANTY LIMITS

Installation Method	Width			Height			Panel Breaks			
	Min	Max	Max Non Warranty	Min	Max	Max Non Warranty	Mid-Rail(s) Required	Approximate Split Rotation by Blade Size		
								64	89	114
Fixed	200	1500	1600	400	3400	N/A	2000, 3000	1000	1200	1200

MINIMUM REVEAL DEPTH*

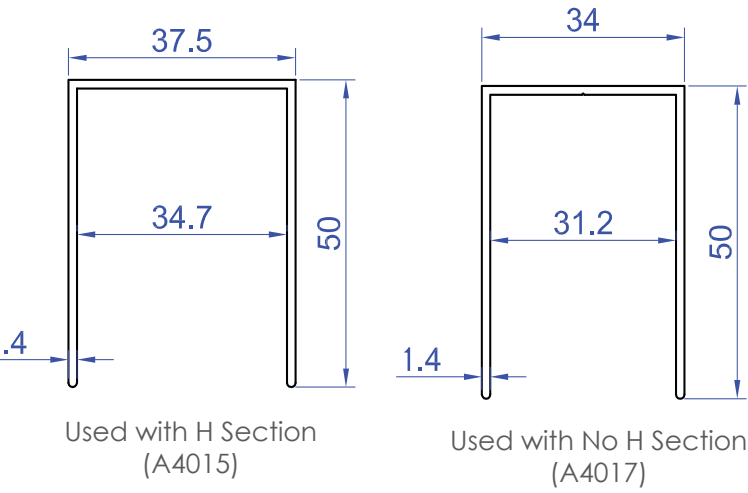
*Be sure to always measure from the most protruding object in the reveal.

Installation Method	Clearance 64mm Blade	Clearance 89mm Blade	Clearance 114mm Blade
Fixed	54	67	79

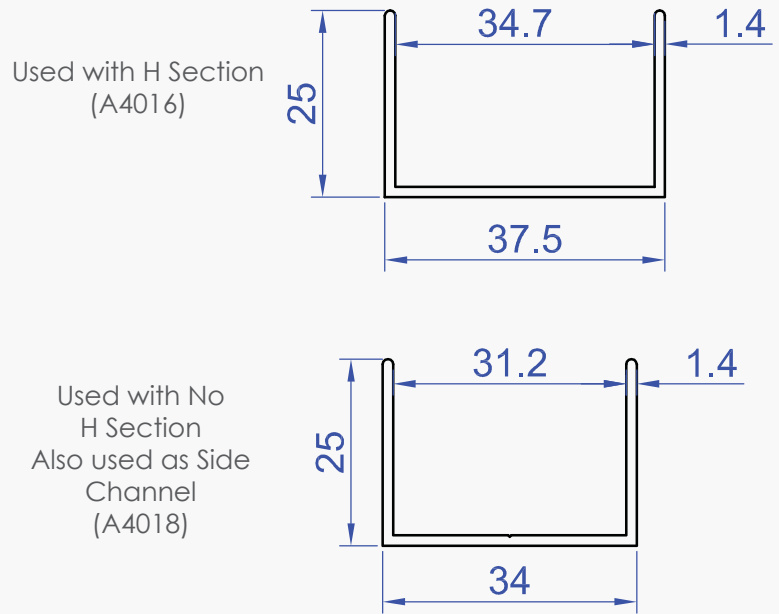
DEDUCTIONS

Fixed Panel and Reveal	Between Meeting Panels	Overall Panel Deduction
2.5	2.5	5

TOP CHANNEL

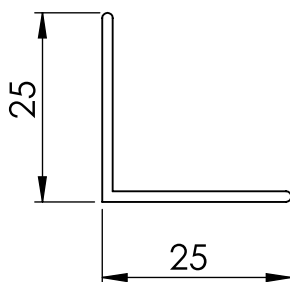
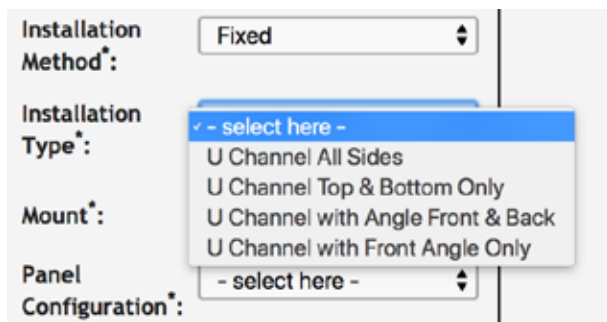


BOTTOM CHANNEL

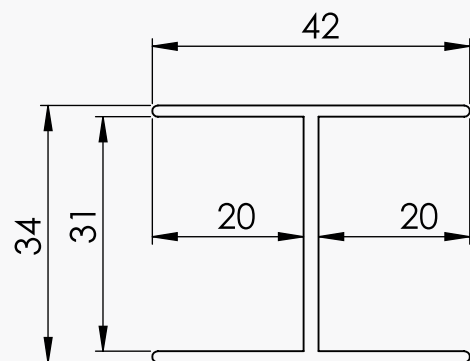


L ANGLE

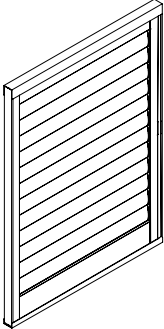
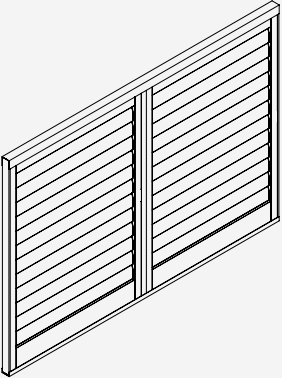
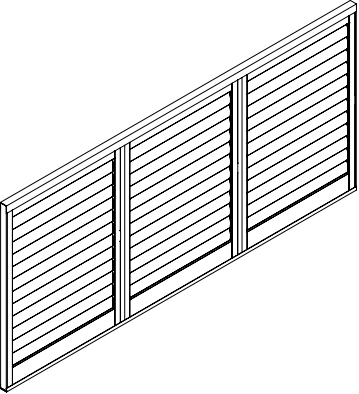
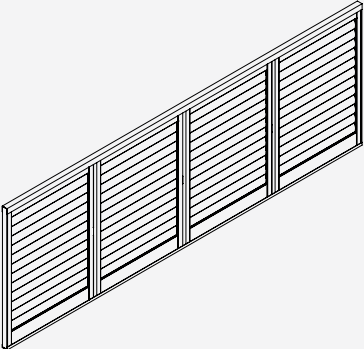
25x25 angle is supplied when 'U Channel with Angle Front Only' is selected at ordering.
25x10 angle is supplied when 'U Channel with Angle Front & Back' is selected at ordering.



H SECTION



PANEL CONFIGURATIONS

Drawing	Panel Configuration Code
	<p>F - 1</p>
	<p>FHF - 2</p>
	<p>FHFHF - 3</p>
	<p>FHFHFHF - 4</p>

Other Available Configurations:
 FHFHFHFHF - 5
 FHFHFHFHFHF - 6

Available Mounts - Reveal (In).

INSTALLATION METHOD: SLIDING



BEFORE YOU ORDER:

WARRANTY LIMITS

Installation Method	Width			Height			Panel Breaks			
	Min	Max	Max Non Warranty	Min	Max	Max Non Warranty	Mid-Rail(s) Required	Approximate Split Rotation by Blade Size		
								64	89	114
Sliding	200	1500	1600	400	3400	N/A	2000, 3000	1000	1200	1200

MINIMUM REVEAL DEPTH*

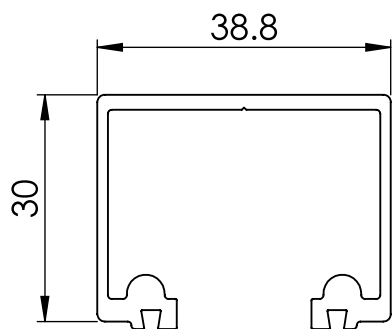
*Be sure to always measure from the most protruding object in the reveal.

Installation Method	Clearance 64mm Blade	Clearance 89mm Blade	Clearance 114mm Blade
2 Tracks Sliding, Blades Closed	95	108	121
2 Tracks Sliding, Blades Open	131	170	209

DEDUCTIONS

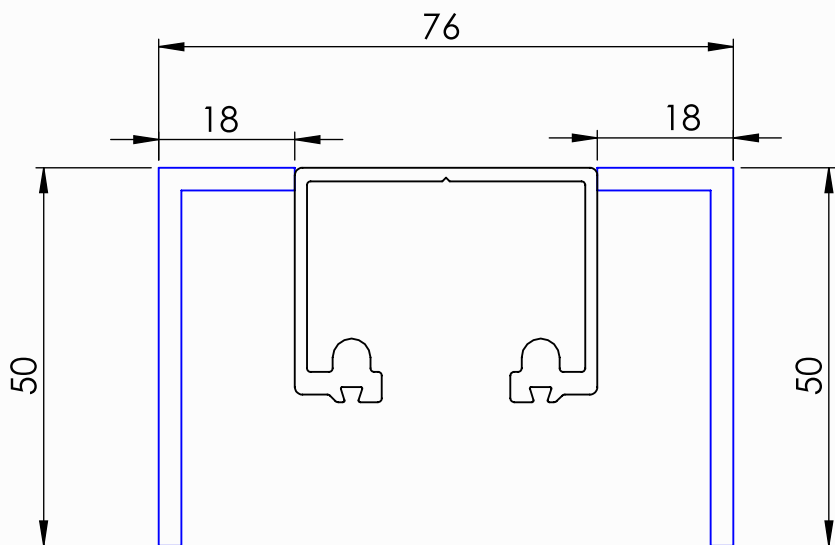
Top Track	Surface Mount Track	Bottom Track Recessed
52	20	10

TOP TRACK

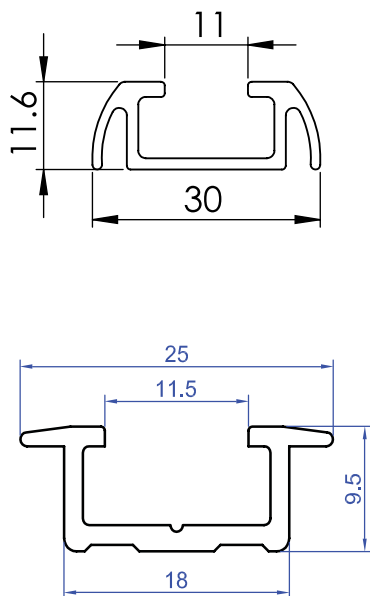


DOUBLE SIDED FASICA
INSTALLATION OPTION 1

Available Mounts - Reveal (In).



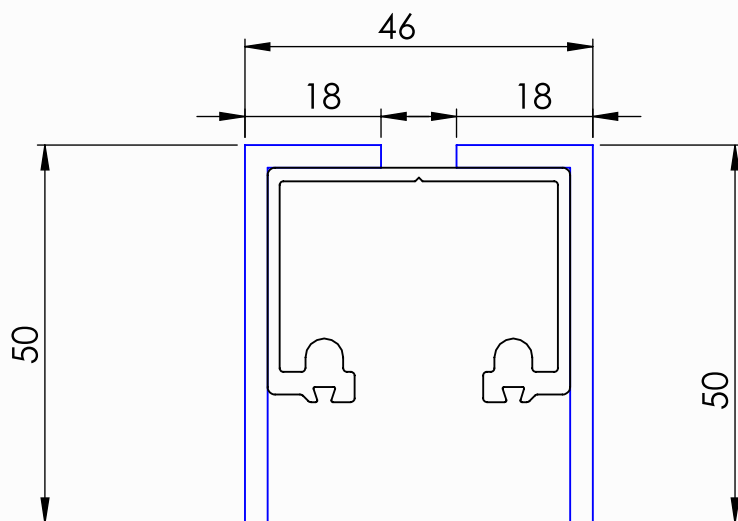
BOTTOM TRACK



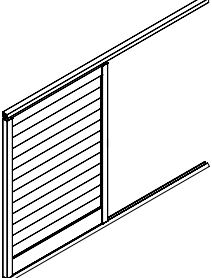
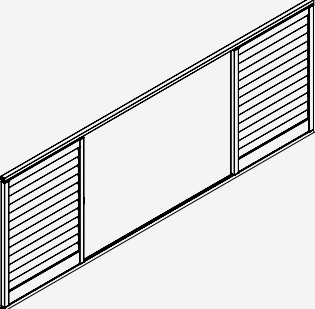
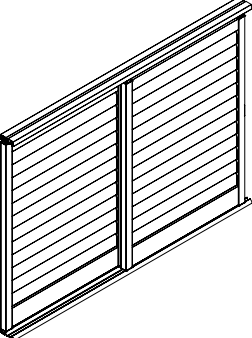
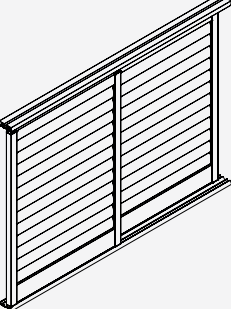
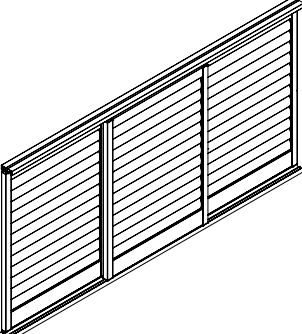
Recessed Bottom Track (7014)

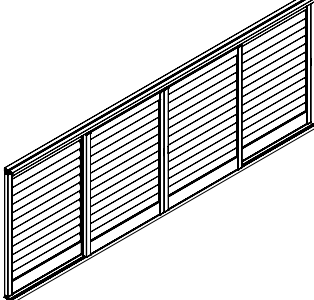
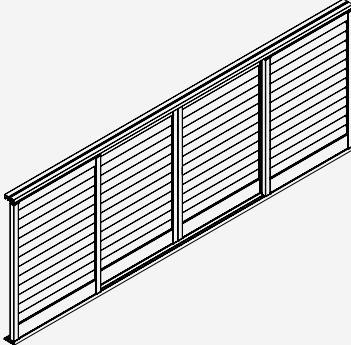
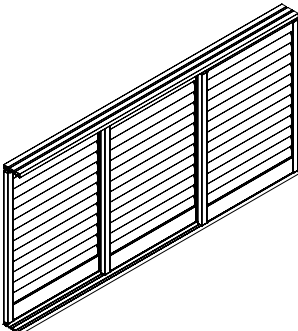
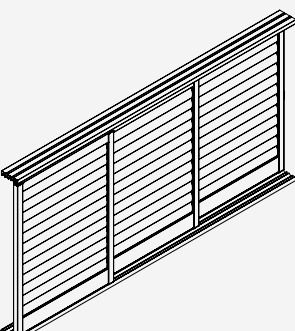
DOUBLE SIDED FASICA
INSTALLATION OPTION 2

Available Mounts - Reveal (In).



PANEL CONFIGURATIONS

Drawing	Panel Configuration Code
	1 Track S - 1
	1 Track SS - 2
	2 Tracks BF - 2
	2 Tracks FB - 2
	2 Tracks BFB - 3

Drawing	Panel Configuration Code
	2 Tracks BFFB - 4
	2 Tracks FBBF - 4
	3 Tracks BMF - 3
	3 Tracks FMB - 3

Other Available Configurations:

- BFBFBF - 6 (2 Tracks)
- BMFFMB - 6 (3 Tracks)
- FMBBMF - 6 (3 Tracks)

INSTALLATION METHOD: MULTI-FOLD



BEFORE YOU ORDER:

WARRANTY LIMITS

Installation Method	Width			Height			Panel Breaks			
	Min	Max	Max Non Warranty	Min	Max	Max Non Warranty	Mid-Rail(s) Required	Approximate Split Rotation by Blade Size		
								64	89	114
Multi-Fold	200	700	750	400	3400	N/A	2000, 3000	1000	1200	1200

MINIMUM REVEAL DEPTH*

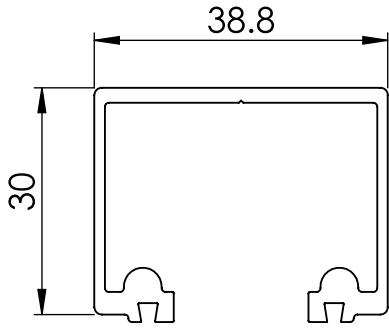
*Be sure to always measure from the most protruding object in the reveal.

Installation Method	Clearance 64mm Blade	Clearance 89mm Blade	Clearance 114mm Blade
Multi-Fold	54	67	79

DEDUCTIONS

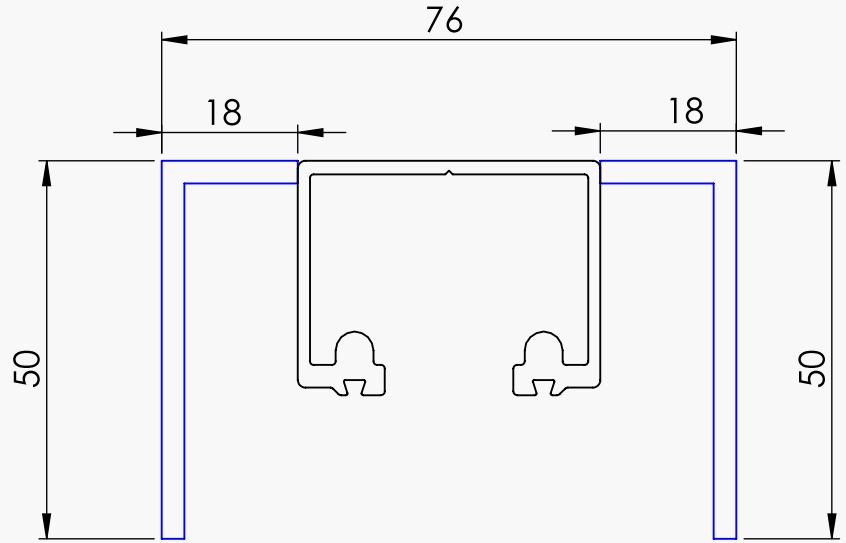
Top Track	Bottom Track	Bottom Track Recessed	Bottom Multi-Fold Pivot Height	Bottom Multi-Fold Pivot Width
52	20	28	20	5

TOP TRACK

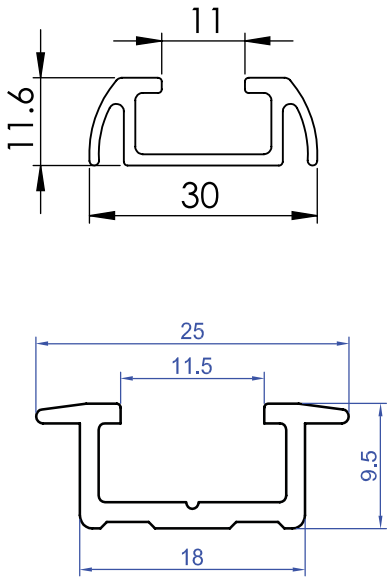


DOUBLE SIDED FASICA
INSTALLATION OPTION 1

Available Mounts - Reveal (In).



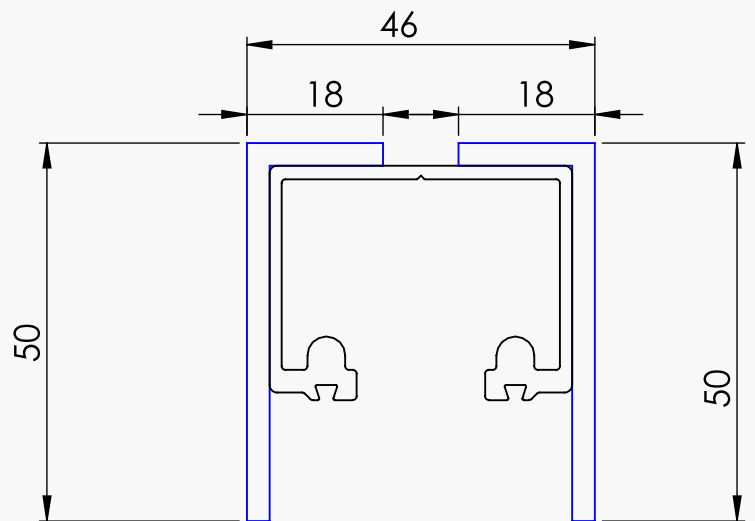
BOTTOM TRACK



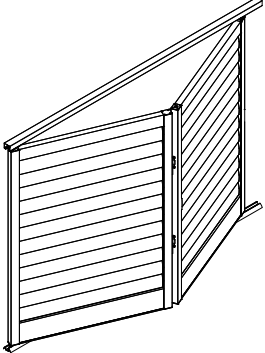
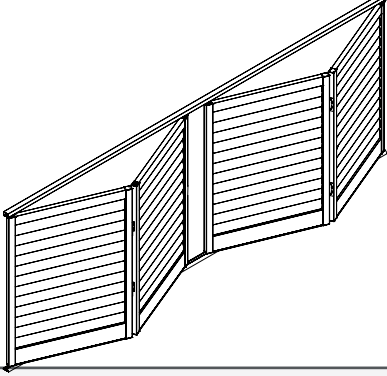
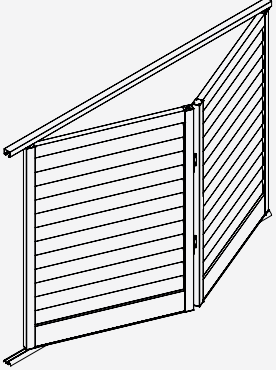
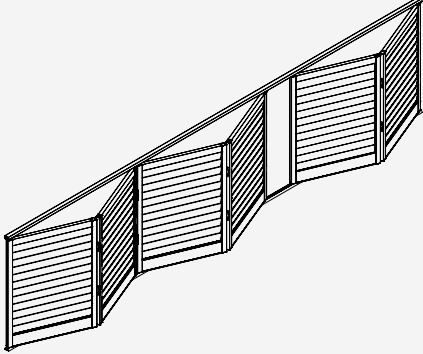
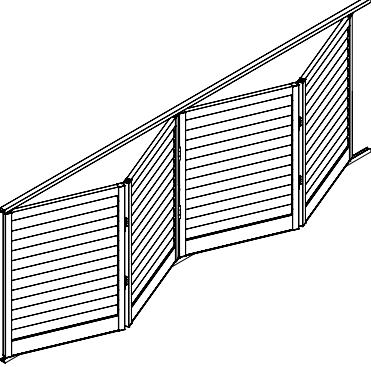
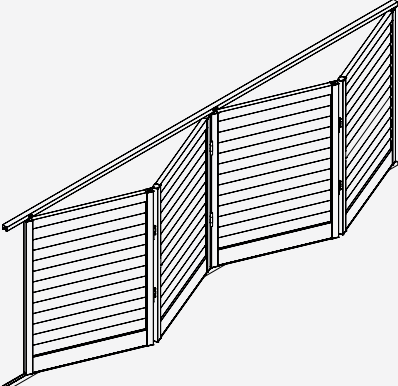
Recessed Bottom Track (7014)

DOUBLE SIDED FASICA
INSTALLATION OPTION 2

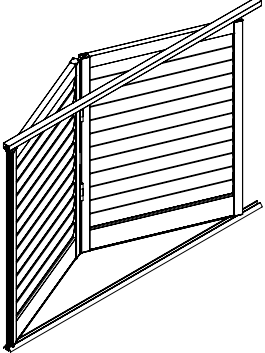
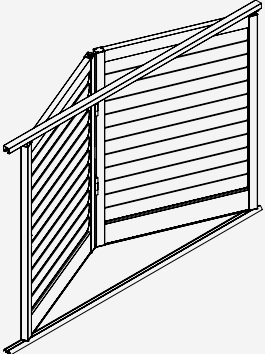
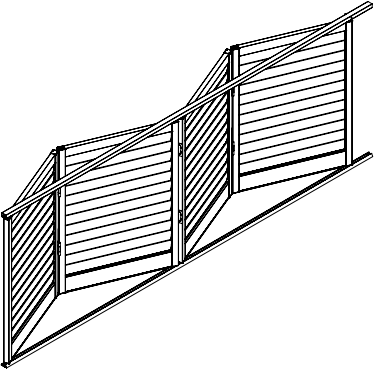
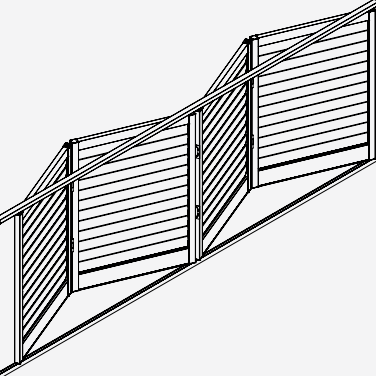
Available Mounts - Reveal (In).

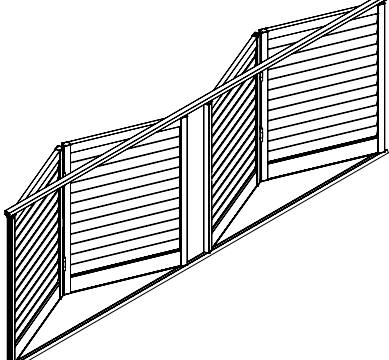


PANEL CONFIGURATIONS – STANDARD FOLD

Drawing	Panel Configuration Code	Drawing	Panel Configuration Code
	LL - 2		LLRR - 4
	RR - 2		LLLLRR - 6
	LLLL - 4	<p>Important Note: The maximum number of panels folding in one direction is four. Panel configurations are to be an even numbers and move in pairs. This ensures that each panel is able to be secured in the opening.</p>	
	RRRR - 4		

PANEL CONFIGURATIONS – REVERSE FOLD

Drawing	Panel Configuration Code
	LL - 2
	RR - 2
	LLLL - 4
	RRRR - 4

Drawing	Panel Configuration Code
	LLRR - 4

Important Note:

The maximum number of panels folding in one direction is four. Panel configurations are to be an even numbers and move in pairs. This ensures that each panel is able to be secured in the opening.

Other Available Configurations:

LLLLRR - 6

LLRRRR - 6

SHAPED SHUTTERS

SLOPES LEFT & RIGHT

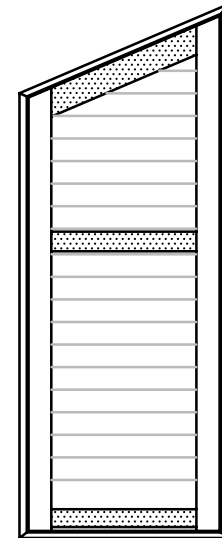
Available Installation Methods:

- Fixed
- Hinged in Frame

Important Note:

Blade(s) in the sloped section will be fixed, all other blades will be operable.

Please allow additional lead time for sloped shutter orders. If you are unsure if the shape is available for this product range, please contact your sales representative.

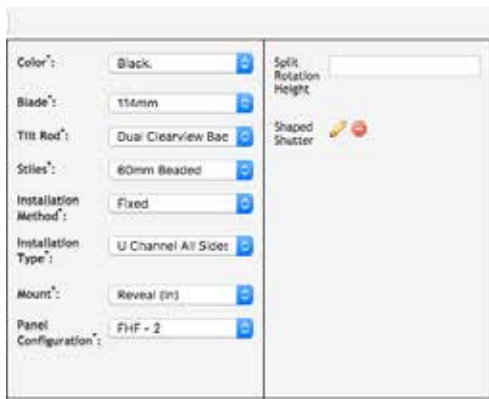


Slope Left

How To Order:

1. Click on the pencil for Shaped Shutter

2. Select Shape Type - Slope Left or Slope Right

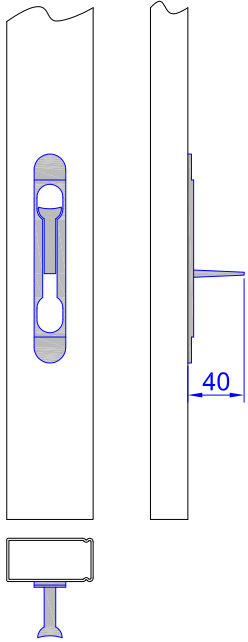


3. Enter Height 2 measurement



EXTRAS

FLUSH BOLTS

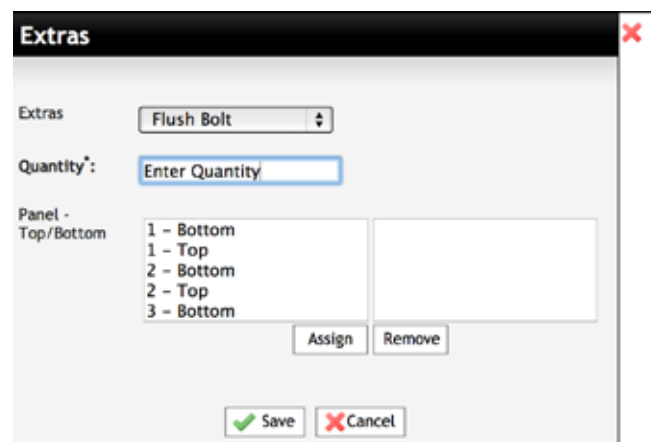


Available Installation Methods:

- Hinged in Frame
- Hinged No Frame
- Multi-Fold (bottom only)

Important Note:

Flush bolts can not be fitted to the section of the panels where the hardware is attached to the tracking system.



SECURITY BOLT

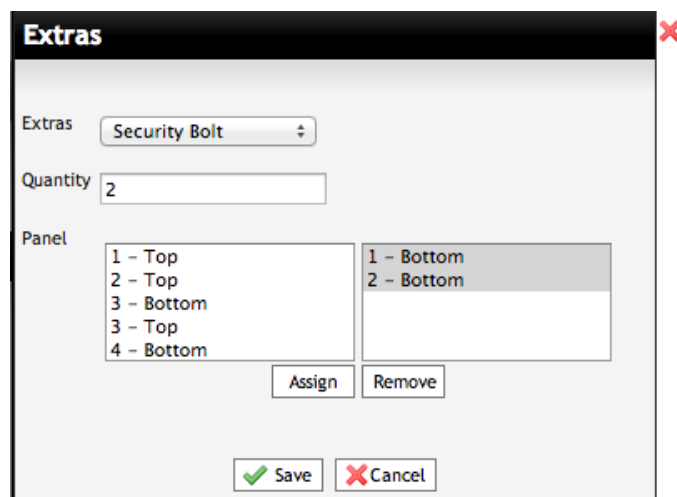


Available Installation Methods:

- Hinged in Frame
- Hinged No Frame

Important Note:

The security bolt is stainless steel and is placed at the top or bottom of the selected panel(s) stile on the opposite side of the hinges.



EXTRAS

LOCKABLE HANDLE



Please note that this is not a security handle and can not be dead locked.

Available Colours:

Silver - A9200

Important Note:

When a handle is ordered with an 89mm or 114mm blade its default position will be adjacent to the mid-rail so the handle will clear the blade protrusion.



Available Colours:

Black - A9202

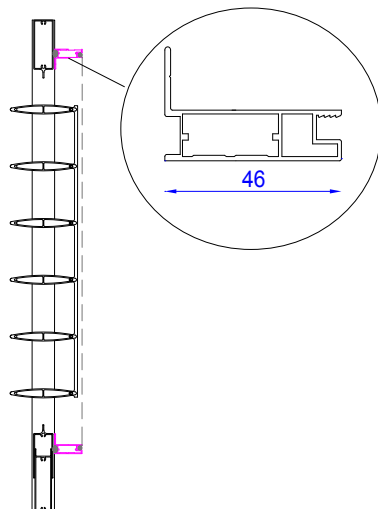
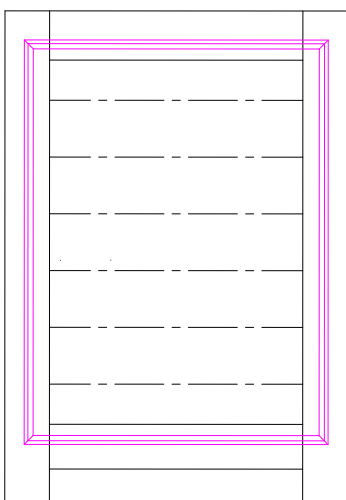
White - A9201

Important Note:

This handle can be dead locked.



FLY SCREEN UNIT – FIBERGLASS



Available Installation Methods:

Hinged in Frame, Fixed.

Available Colours:

Black

Important Note:

If a flyscreen unit is orderd in addition to a handle, the blades above and below the mid-rail will be fixed in position to allow for operation of handle

EXTRAS

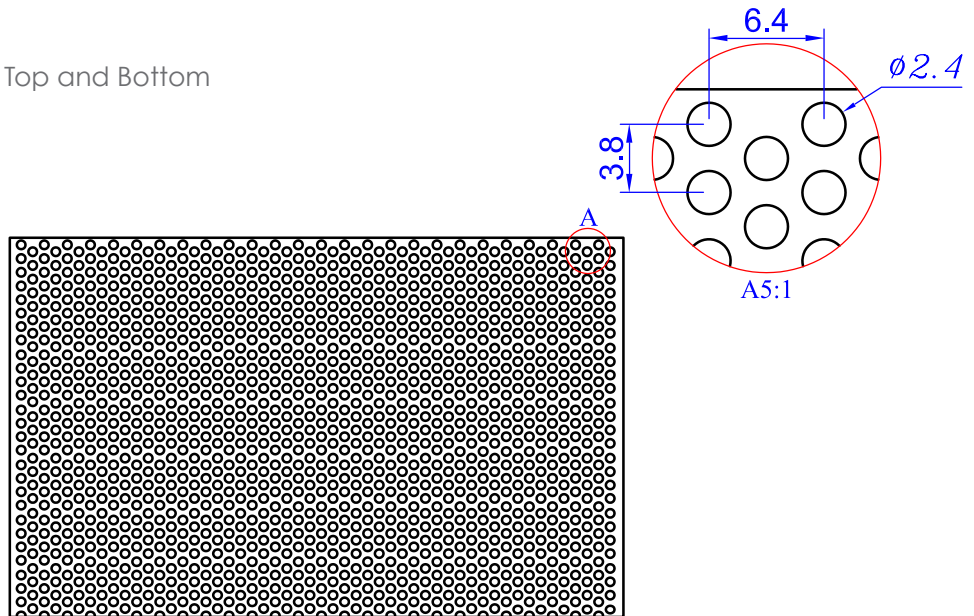
FLY SCREEN UNIT – ALUMINUM MESH (A9003)

Available Colours:

Black

Installation Type:

Currently only available for a Fixed in Top and Bottom U Channel installation type.



BLADE STAY (A9000)



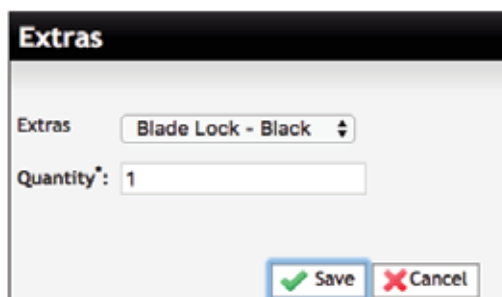
Available Colours:

Black
White

Important Note:

A blade lock is required every 1300mm or where a split rotation is required. Max panel height is 1800mm and will require 2x blade locks. If a panel has a mid-rail, a Blade Lock will be required both above and below the mid-rail to operate each section independently.

Positioning: If uneven number of blades, it will default to one blade below centre of section of blades.



EXTRAS

DOUBLE SHOOT BOLT (A9300)



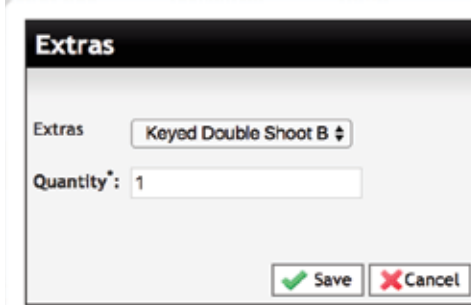
Available Installation Methods:

Hinged in Frame

Important Note:

Available with a key lock only. Note: All openings will be keyed alike as standard for each order.

Double Shoot Bolt default position is centre unless specified in notes.



STAND OUT BRACKET



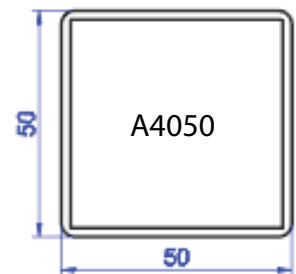
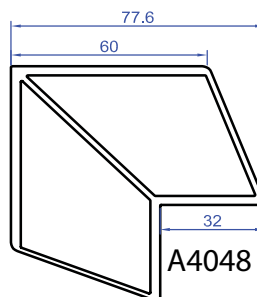
Available Colours:

Powdercoated to match.

Installation Type:

Currently only available for a Fixed in Top and Bottom U Channel installation type. Can be applied to other applications on request - please check with Head Office first.

Minimum width of Stand Out Bracket is 100mm. Max width is 600mm.



Ordering Note:

As standard these will come at the width ordered top and bottom, however please advise the projection from the wall in the notes when ordering.



SPECIAL INSTRUCTIONS

10mm Door Clearance - The factory will take an additional 10mm deduction off the height of the opening to allow for clearance in doors.

B-Folding Panels - Multiple panels are hinged together off the one side of the opening with no top or bottom track. For hinged in Frame and Hinged No Frame installation methods only.

Critical Mid-Rail - Height of mid-rail specified in column 1 of the order form is to be at that exact height. Please note this may result in large/small top and/or bottom rails.

Hinges Loose - Hinges for the line item will be supplied loose in the components box and not attached to the panels.

Internal Installation Required - Shutters will be installed inside a home or commercial building, not in an external application.

Magnets Loose - Magnets will be supplied loose in the components box and not attached to the panels.

Tier on Tier - Shutters in a Hinged in Frame installation method will be installed as two stacks, one on top of the other. Shutters in each section are able to operate independently of each other. A horizontal t-post may be required for openings over a specific, please confirm with the factory.

PRODUCT MAINTENANCE

A COMMON MISCONCEPTION IS THAT STAINLESS STEEL IS NOT EFFECTED BY CORROSION OR RUST.

Corrosion Potential	Distance to Saltwater Area	Cleaning Schedule
Low (LCP)	20 km radius	Every 6 months
Moderate (MCP)	10 km radius	Every 3 months
High (HCP)	1 km radius	Every 3 weeks
Extreme (ECP)	500 meter radius	Every week

Stainless steel hardware and fittings are used to resist rust and corrosion in coastal, saltwater atmospheres. In these environments, where two dissimilar materials such as stainless steel and aluminum are combined, a corrosive reaction will occur if not properly maintained.

Proximity to fresh water is not commonly considered a risk but we also recommend the implementation of our maintenance procedure in these areas as well.

By following the guidelines listed in this document, corrosion of essential components can be avoided. This information is only a guide and not a guarantee against set corrosion.



MAINTENANCE PROCEDURE

- Step 1** Clean the shutters using a nonabrasive cloth or sponge with warm soapy water. A garden hose may also be used. Concentrate on the areas where the stainless steel hardware is attached to the shutter.
- Step 2** Make sure to remove any salt residue, tannin stains caused by trees and any other marks created by local industry / automotive exhaust residue, as these chemicals also have corrosive properties.
- Step 3** On completion of the cleaning process, spray a light film of silicone lubricant to any operational hardware such as the tracking system. Please ensure these areas are fully dry prior to this application.