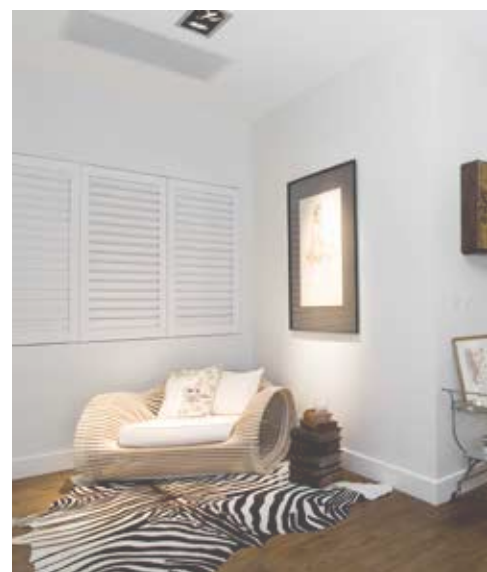


V.01.07.18

Verosol

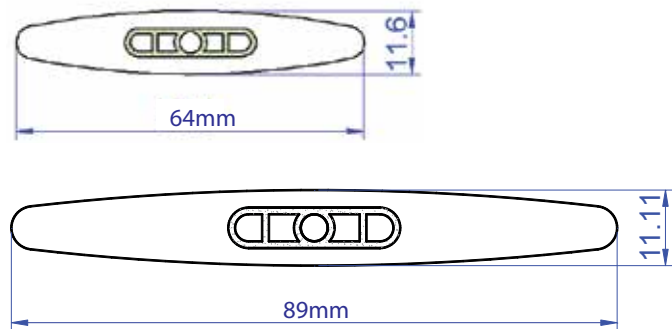
AMBIENCE POLYRESIN



COLOUR OPTIONS



BLADE SIZES

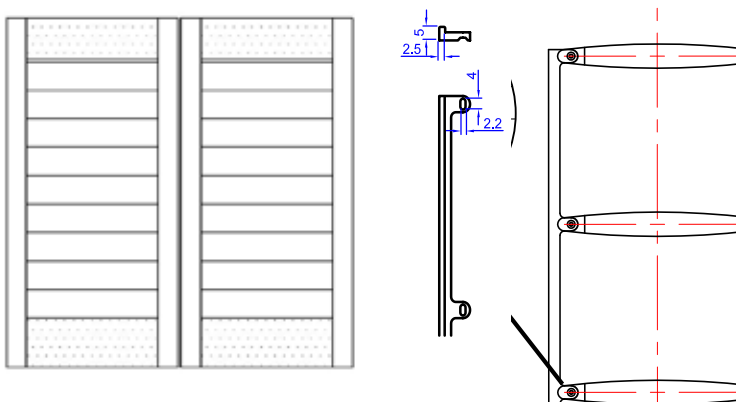


HINGE COLOURS

Panel Colour	Hinge Colour
Alabaster	Ivory
Antique White	White
Ivory	Ivory
Shell	White
Silk White	White
Whisper White	White
White	White

TILT ROD

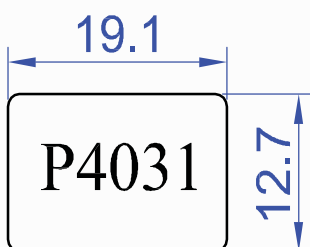
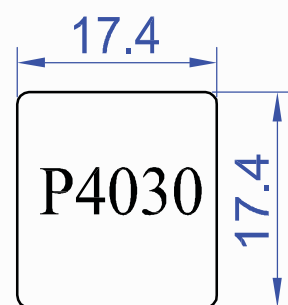
POLYTHERM PACKERS



CLEARVIEW

Best option for an uninterrupted view.

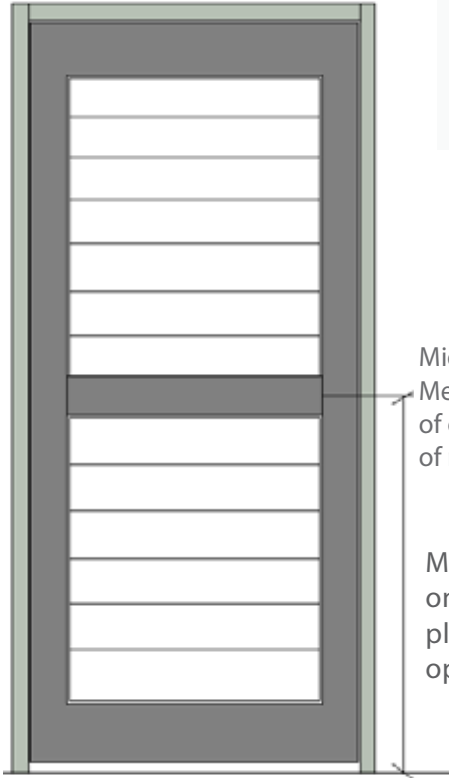
Default Position: Rear of panel on hinged side.



MID-RAIL

HOW TO MEASURE:

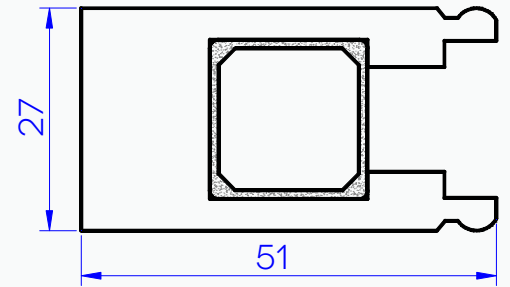
AVAILABLE SIZE:
83mm x 20mm (P2020)



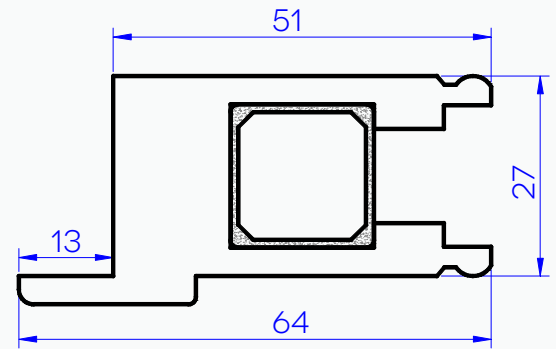
Mid-rail:
Measure from bottom of opening to centerpoint of required mid-rail.

Midrail placement is within + or - one blade size. If position is critical, please select 'Critical Midrail' option in special instructions.

STILE

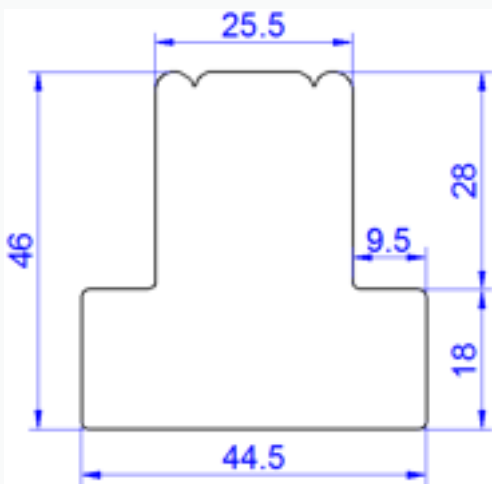


51MM STILE

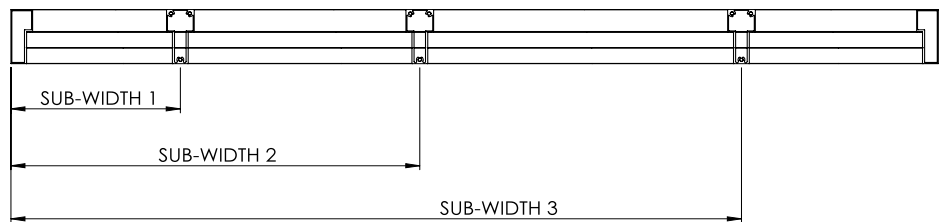


STILE WITH D-MOULD

T-POST



UNEVEN PANEL WIDTHS



INSTALLATION METHOD: HINGED OPTIONS



BEFORE YOU ORDER

MINIMUM REVEAL DEPTHS*

*Be sure to always measure from the most protruding object in the reveal.

	64mm Blade	89mm Blade
	Clearview	Clearview
L Frame	54	67
Z Frame	39	52

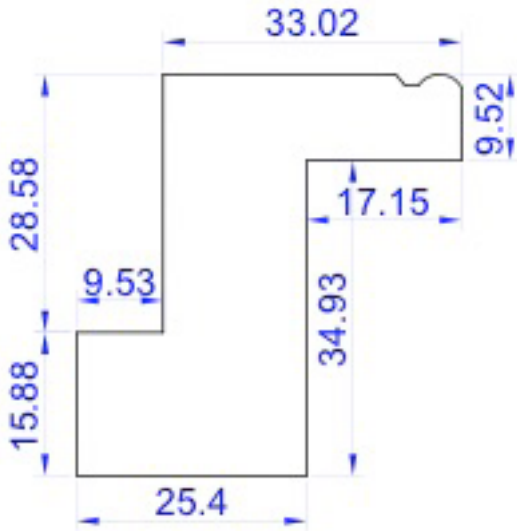
LIMITATIONS

Installation Method	Width			Height			Panel Breaks		
	Min	Max	Max Non Warranty	Min	Max	Max Non Warranty	Mid-Rail(s) Required	Approximate Split Rotation by Blade Size	
								64	89
Hinged in L or Z Frame	200	900	950	400	2700	N/A	1800	1100	1300
Double Hinged	200	400	450	400	2700	N/A	1800	1100	1300

INSTALLATION METHOD: HINGED

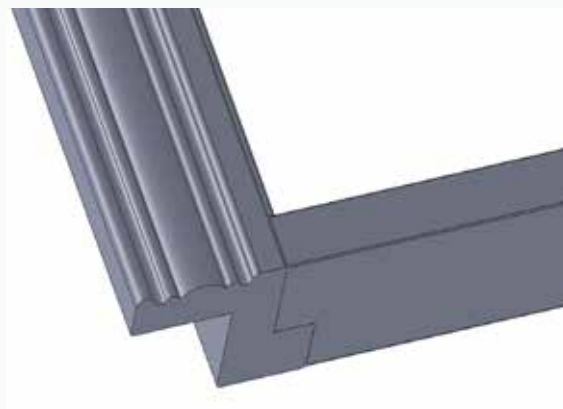
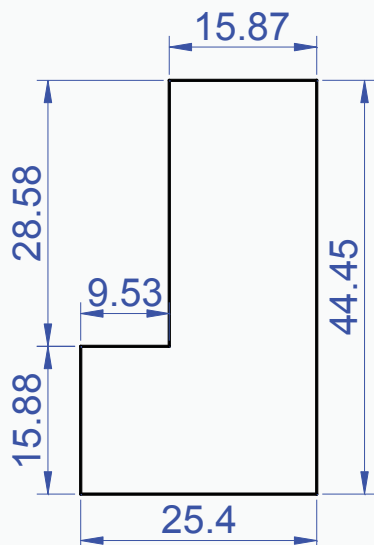
HINGED: Z FRAME Z STANDARD (P4020)

Note - Only polytherm frames are available with this product range, no timber frames.



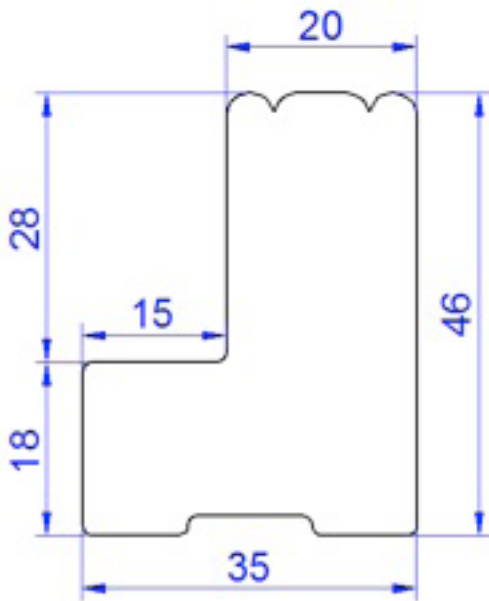
OPTION: SILL PLATES

A Sill Plate is simply an L Frame used for one or more sides of the frame, where a Z frame will not fit. For example: a window with a Sill, cannot use a Z frame on the sill side, so a Sill Plate is used. To order, choose Sill Plate in Frame Options drop down field.



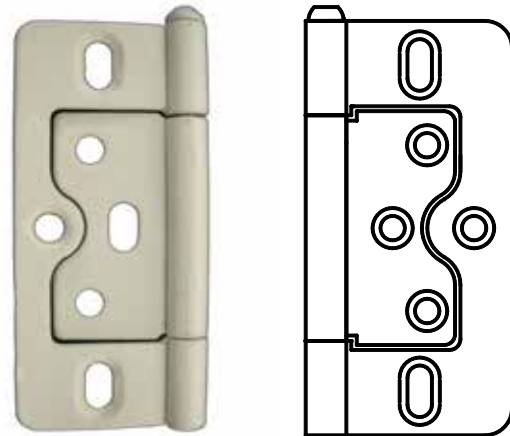
INSTALLATION METHOD: HINGED

HINGED: L FRAME
 BEADED L 46MM (P4011)



Disclaimer: Please be aware that the Beaded L 46mm Frame does not have sufficient frame depth if used with the 89mm blade when fitted flush with the wall for blade rotation.

HINGED: NO FRAME
 NON-MORTISE HINGE



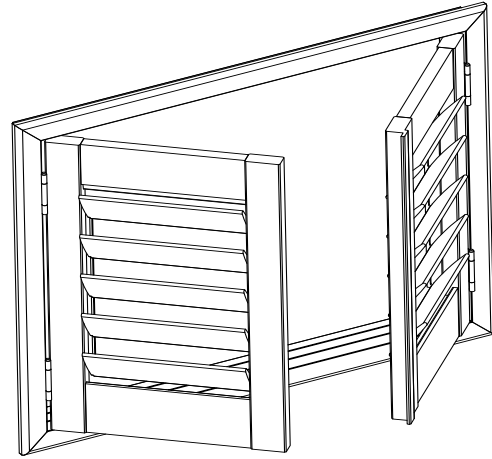
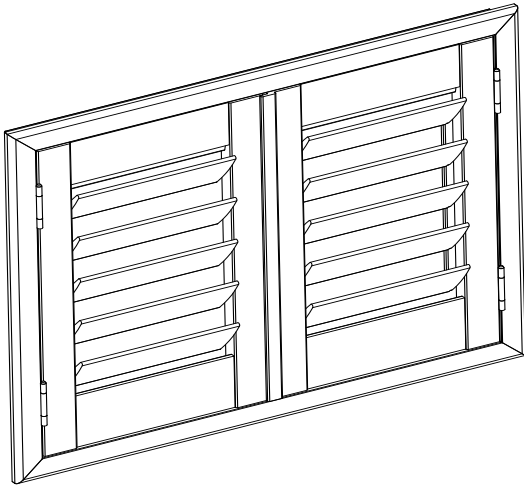
Hinge Colour	Code
White	HB100
Ivory	HB103
Stainless Steel	HB201

BI-FOLD HINGE

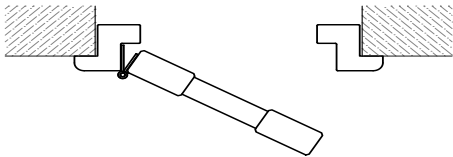


Stainless Steel

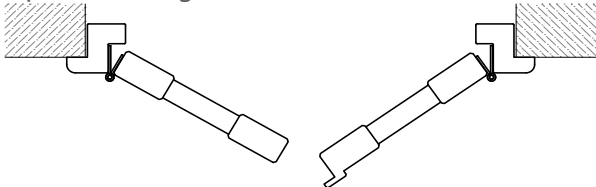
AVAILABLE PANEL CONFIGURATIONS: HINGED IN L OR Z FRAME



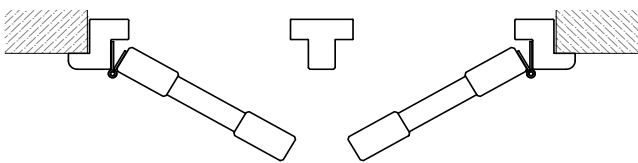
1 panel, Configuration code: L or R



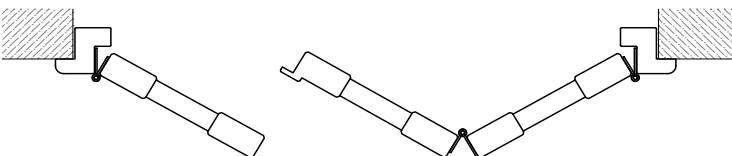
2 panel, Configuration code: L-DR or LD-R



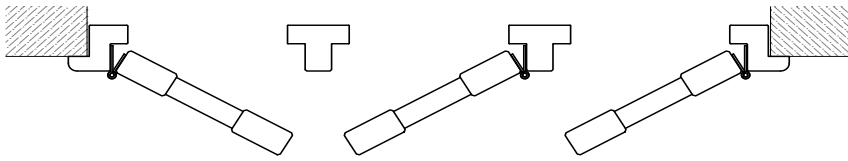
2 panel with T Post, Configuration code: LTR



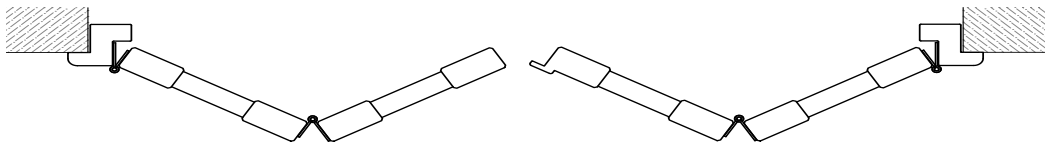
3 panel, Configuration code: L-DRR or LLD-R



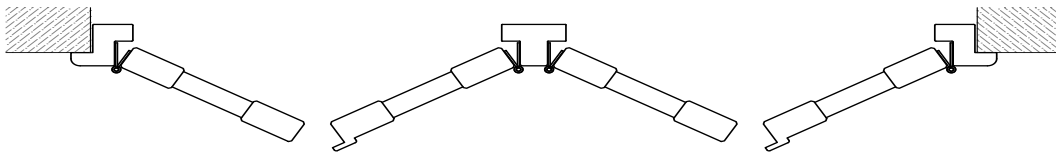
3 panel with T post, Configuration code: LTRTR or LTLTR



4 panel, Configuration code: LL-DRR or LLD-RR



4 panel with T post, Configuration code: L-DRTL-DR or LRTLTR

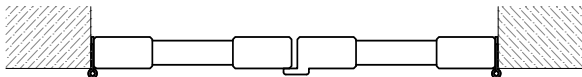


AVAILABLE PANEL CONFIGURATIONS: HINGED NO FRAME

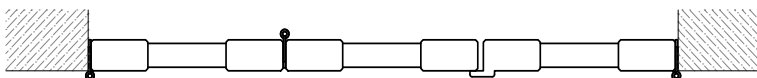
1 panel Configuration code: L or R



2 panel, Configuration code: L-DR or LD-R



3 panel, Configuration code: LL-DR or LD-RR



4 panel, Configuration code: LL-DRR or LLD-RR



INSTALLATION METHOD: FIXED

USED WHEN SHUTTERS ARE REQUIRED TO BE FIXED IN POSITION. REVEAL MOUNT ONLY



BEFORE YOU ORDER

MINIMUM REVEAL DEPTHS*

*Be sure to always measure from the most protruding object in the reveal.

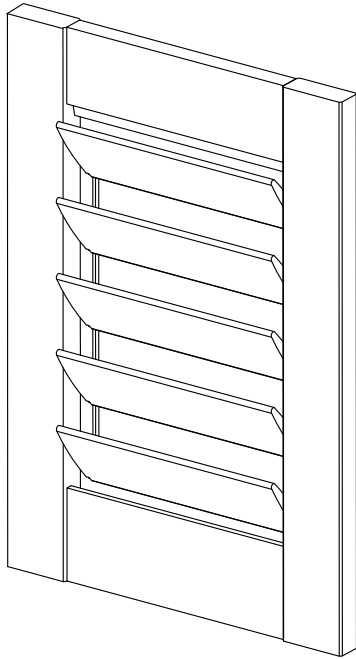
	64mm Blade	89mm Blade
	Clearview	Clearview
Fixed	54	67

LIMITATIONS

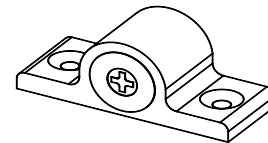
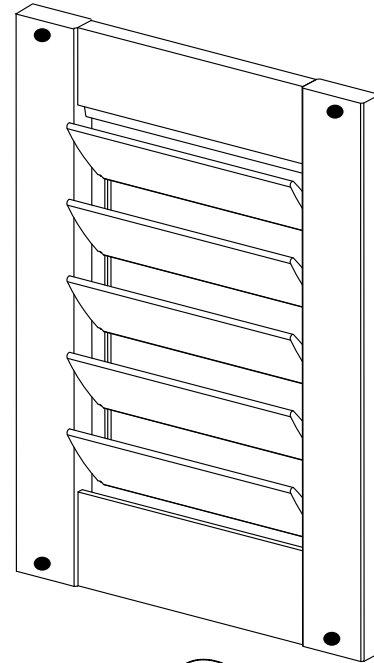
Installation Method	Width			Height			Panel Breaks		
	Min	Max	Max Non Warranty	Min	Max	Max Non Warranty	Mid-Rail(s) Required	Approximate Split Rotation by Blade Size	
								64	89
Fixed	200	900	950	400	2700	N/A	1800	1100	1300

AVAILABLE FIXED OPTIONS

FIXED WITH BEADING
BLADES OPERATIONAL



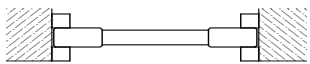
FIXED WITH BULLET MAGNETS
PANEL ABLE TO BE REMOVED



Disclaimer: Please be advised Fixed with Beading is not advised for wet areas as the timber may warp with time.

AVAILABLE PANEL CONFIGURATIONS

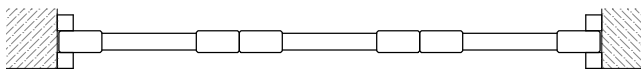
1 panel Configuration code: F



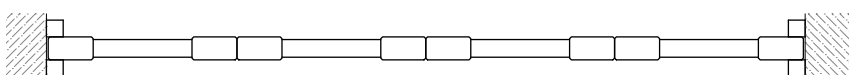
2 panel, Configuration code: FF



3 panel, Configuration code: FFF



4 panel, Configuration code: FFFF



INSTALLATION METHOD: MULTI-FOLD

USED TO COMPLETELY FOLD SHUTTERS AWAY FROM OPENING WHEN AN UNOBSTRUCTED VIEW IS REQUIRED. REVEAL AND FACE MOUNT APPLICATIONS



BEFORE YOU ORDER

MINIMUM REVEAL DEPTHS*

*Be sure to always measure from the most protruding object in the reveal.

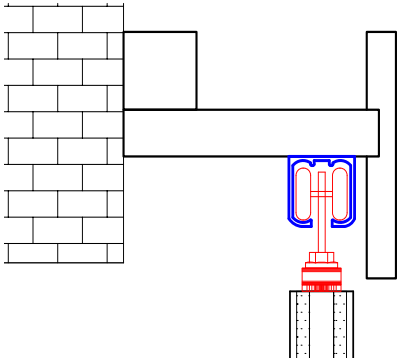
	64mm Blade	89mm Blade
	Clearview	Clearview
Multi-Fold	100	100

LIMITATIONS

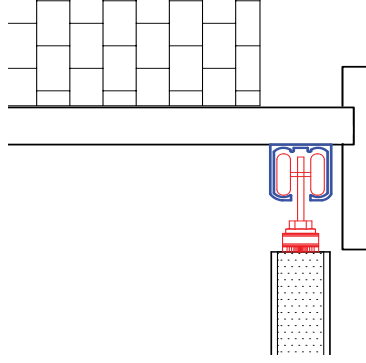
Installation Method	Width			Height			Panel Breaks		
	Min	Max	Max Non Warranty	Min	Max	Max Non Warranty	Mid-Rail(s) Required	Approximate Split Rotation by Blade Size	
								64	89
Multi-Fold	200	550	600	400	2700	N/A	1800	1100	1300

AVAILABLE MOUNTS

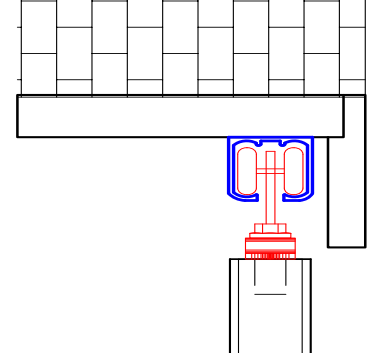
FACE MOUNT
FASCIA DEPTH = 95MM



SEMI-REVEAL
FASCIA DEPTH = 95MM

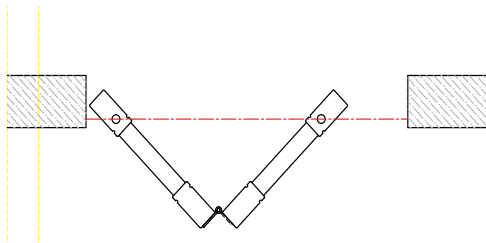


REVEAL MOUNT
FASCIA DEPTH = 65MM

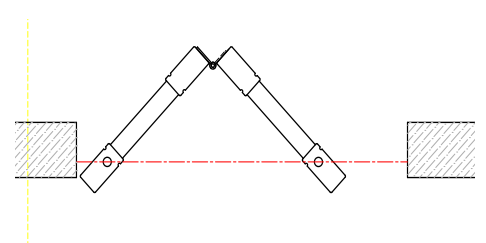


AVAILABLE FOLD PATTERNS

STANDARD FOLD
SHUTTERS FOLD AWAY FROM
THE ROOM

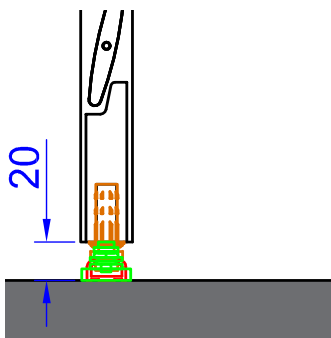


REVERSE FOLD
SHUTTERS FOLD INTO
THE ROOM

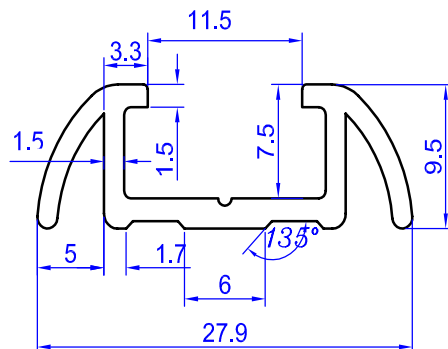


BOTTOM TRACK OPTIONS

SURFACE MOUNT
BOTTOM TRACK WITH
NO BOTTOMBOARD



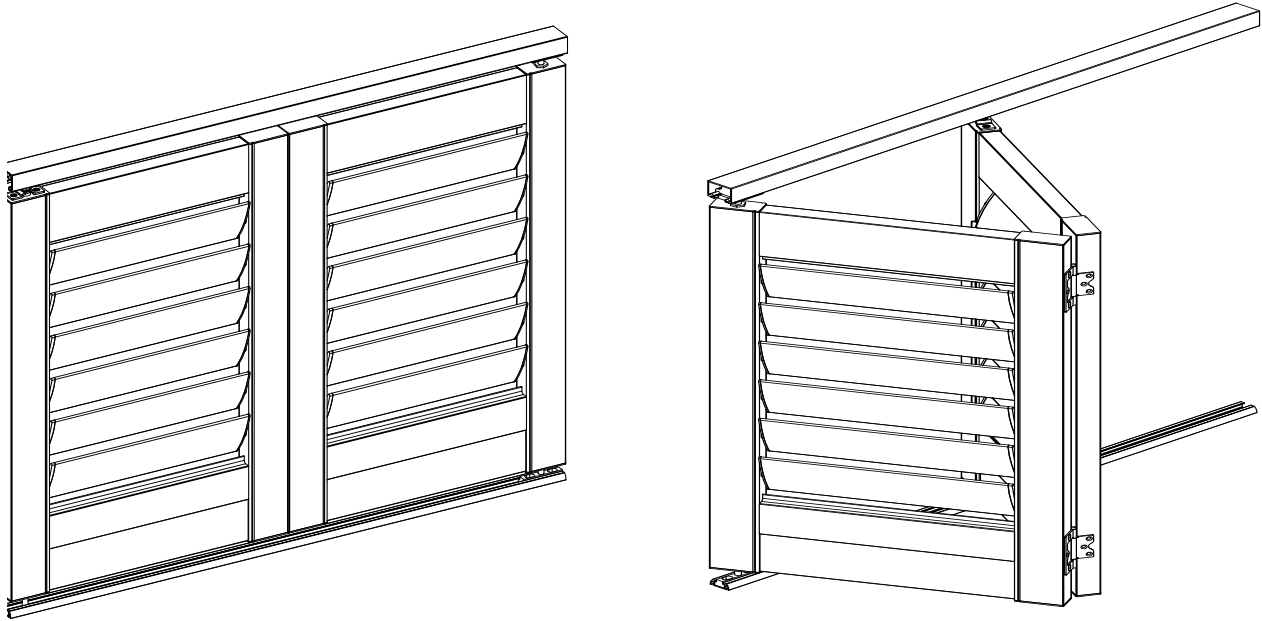
NO BOTTOM TRACK
TWO STRONGLY ADVISES AGAINST
THIS OPTION. THIS WOULD BE A
NON-WARRANTY ITEM.



SIDEBOARDS

Sideboards are mandatory for both sliding and multi-fold installation methods. Orders placed without sideboards will be a non-warranty item.

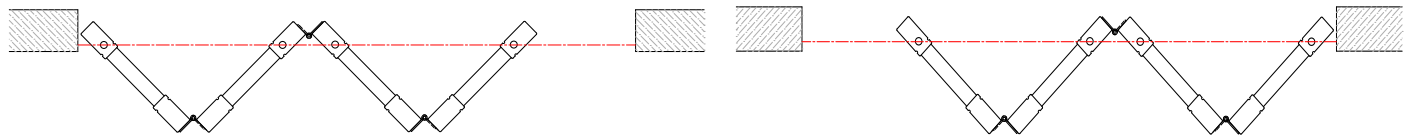
AVAILABLE PANEL CONFIGURATIONS



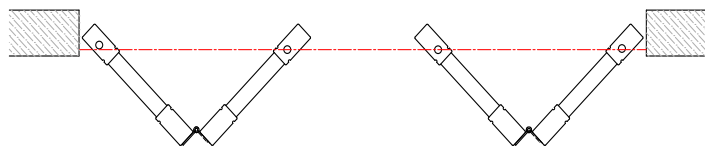
2 panel, Configuration code: LL or RR



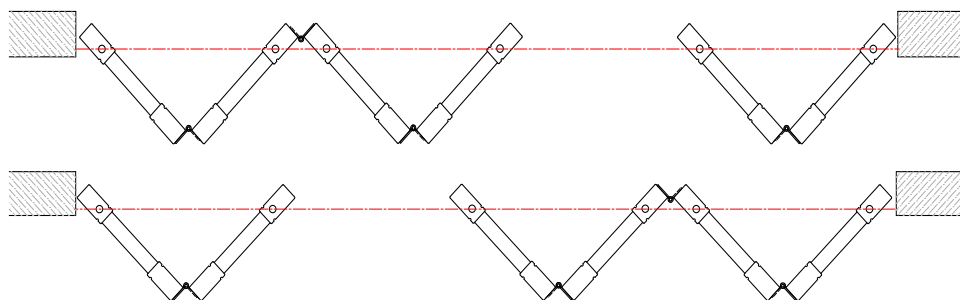
4 panels one way, Configuration code: LLLL or RRRR



4 panels centre open, Configuration code: LLRR



6 panels centre open, Configuration code: LLRRRR or LLLLRR



Warranty Note: The maximum number of panels folding in one direction is four.

Panel configurations are to be an even numbers and move in pairs. This ensures that each panel is able to be secured in the opening.

INSTALLATION METHOD: SLIDING

USED MOST COMMONLY TO COVER SLIDING DOORS. REVEAL AND FACE MOUNT APPLICATIONS.



BEFORE YOU ORDER

MINIMUM REVEAL DEPTHS*

*Be sure to always measure from the most protruding object in the reveal.

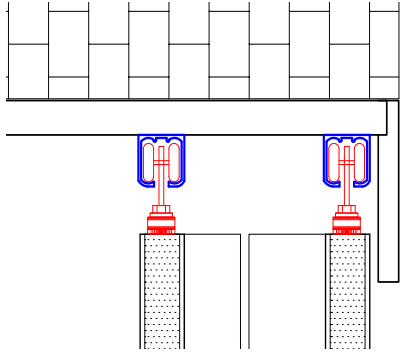
	64mm Blade	89mm Blade
	Clearview	Clearview
2 Track Slider - Blades Closed	180	180
2 Track Slider - Blades Open	180	220

LIMITATIONS

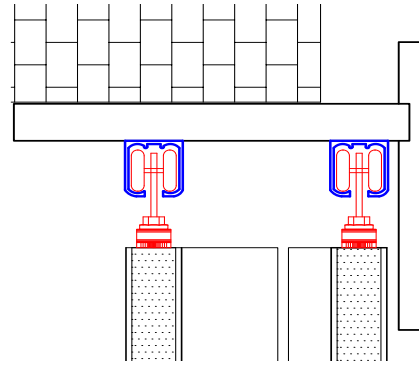
Installation Method	Width			Height			Panel Breaks	
	Min	Max	Max Non Warranty	Min	Max	Max Non Warranty	Mid-Rail(s) Required	Approximate Split Rotation by Blade Size
								64 89
Sliding	200	900	950	400	2700	N/A	1800	1100 1300

AVAILABLE MOUNTS

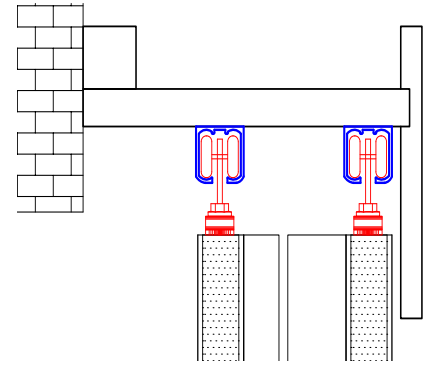
REVEAL
FASCIA DEPTH = 95MM



SEMI-REVEAL
FASCIA DEPTH = 140MM



FACE
FASCIA DEPTH = 140MM



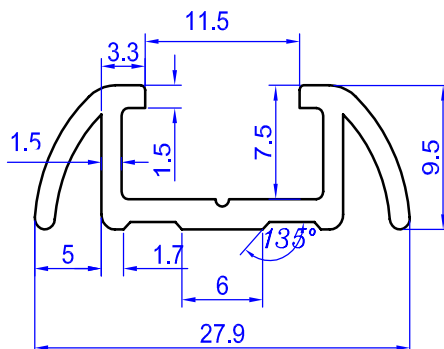
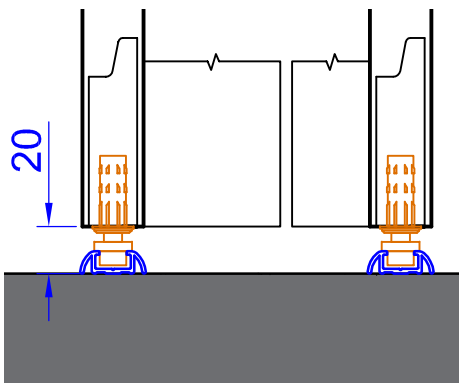
Reveal Mount: Pelmet is fixed into the opening and the headboard is screwed up into the opening. The fascia will sit flush with the front of the opening and will not have returns.

Semi-Reveal Mount: Pelmet is fixed half in the opening and half out of the opening and the headboard is screwed up into the opening. A face mount and returns are supplied. The reveals will stop short of the width of the pelmet and hit the face of the opening.

Face Mount: Pelmet is fixed on to the outside of the opening, normally above the architrave. The headboard is attached using a 30x30 cleat. Fascia and full length returns are supplied.

BOTTOM TRACK OPTIONS

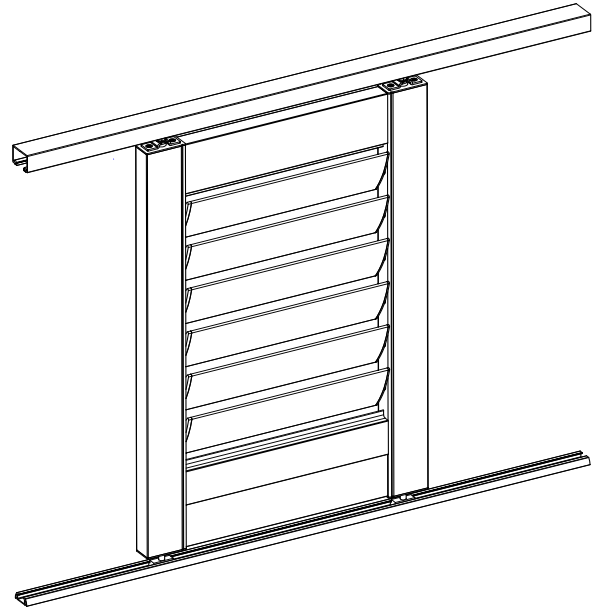
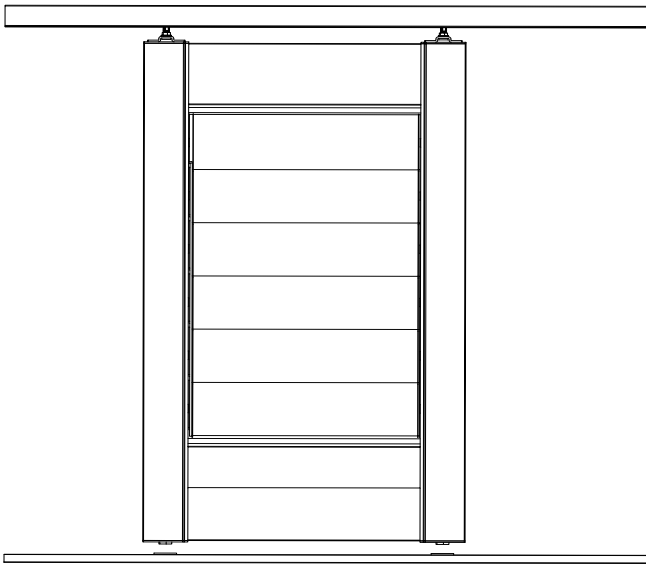
SURFACE MOUNT
BOTTOM TRACK WITH
NO BOTTOMBOARD



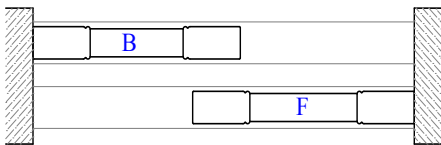
SIDEBOARDS

Sideboards are mandatory for both sliding and multi-fold installation methods. Orders placed without sideboards will be a non-warranty item.

AVAILABLE PANEL CONFIGURATIONS

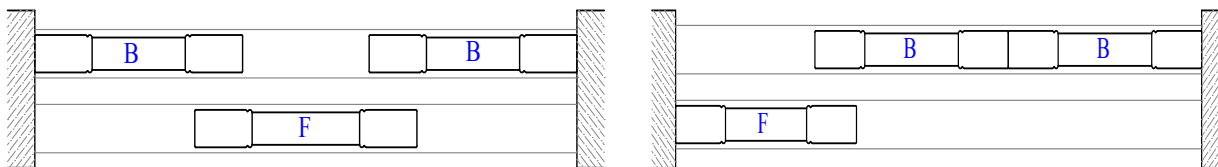


2 panels on 2 tracks, Configuration code: BF or FB

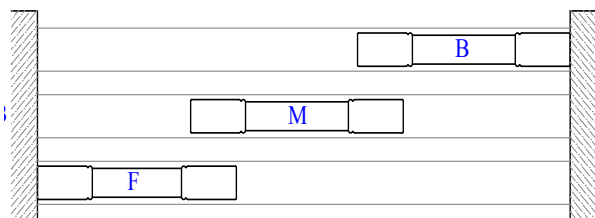


Note: Single panels sliding on 1 Track are denoted with a "S" for one panel, and a "SS" for 2 panels on a single track.

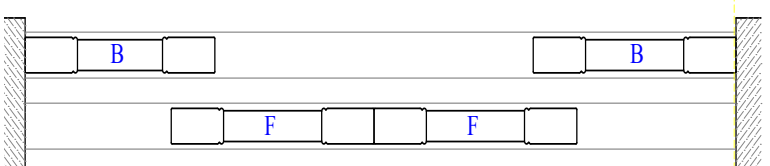
3 panels on 2 tracks, Configuration code: BFB or FBF or FBB or BBF



3 panels on 3 tracks, Configuration code: BMF or FMB
NOTE: 3 tracks only available with blades closed option



4 panels on 2 tracks, Configuration code: BFFB or FBBF



SPECIAL INSTRUCTIONS

10mm Door Clearance - The factory will take an additional 10mm deduction off the height of the opening to allow for clearance in doors.

Critical Mid-Rail - Height of mid-rail specified in column 1 of the order form is to be at that exact height. Please note this may result in large/small top and/or bottom rails.

Hinges Loose - Hinges for the line item will be supplied loose in the components box and not attached to the panels.

Minimum Top & Bottom Rail - Factory will supply smallest top and bottom rails on panels.