

Veromax External Roller Blind System

Product Information

The Verosol **Veromax External Roller Blind system** is manufactured from the highest quality materials that includes stainless steel, glass-filled nylon and extruded aluminium. These materials are complimented with high-performance external fabrics for controlling natural light, heat and solar energy.

Additionally, the External blinds has many unique features to simplify installation, improve reliability and provide the performance necessary to function for years to come. Placing high importance on aesthetics, slim and compact fittings are designed to integrate sleekly with any style of architecture.

Capable of wide spans, long drops, and having interchangeable components, makes Verosol Veromax External Roller Blinds the perfect customised solution for outdoor comfort shading.

Further Information

To find out more information visit www.verosol.com.au or call Verosol Customer Care on 1800 721 404

Technical Information



	Veromax External Roller Blind Systems			
Product Name	Veromax Guidewire Systems		Veromax Verolock [side channel] Systems	
Product Code	X200.7	X200.2	X201.7	X201.2
Operation	240V AC Motorised	Crank Operated	240V AC Motorised	Crank Operated
Dimensions	Minimum Maximum	Minimum Maximum	Minimum Maximum	Minimum Maximum
Width	1000mm to 6500mm	1000mm to 4800mm	1000mm to 6500mm	1000mm to 4800mm
Drop	4000mm	2400mm	3400mm	2400mm
Area	24m ²	12m ²	24m ²	12m ²
Base Rail	Material	Extruded aluminium	1.7 kg/m	
	Dimensions	55mm W x 25mm H		
	Colours	White, Black, Silver Anodised		
Base rail end caps	Material	Stainless steel magnetic	Glass filled nylon	
	Colour		Black	
Guide Wires	Material	Stainless steel cable	N/A	
	Type		Masonry, Deck, Face	
Verolock Side Channel	Material	N/A	Verolock technology	
	Type		Zipper	
	Colour		White, Black, Silver Anodised	
Installation Brackets	Dimensions	120mm x 120mm		
	Material	Premium stainless steel		
	Operation	Top or Face Fixing		

Turn over for motorisation and optional extras

Motorisation

Veromax External Roller Blind Systems		
Product Name	Veromax Guidewire Systems	Veromax Verolock [side channel] Systems
Product Code	X200.7	X201.7
Motorisation	240V AC Motorisation	
Operation	Wireless Radio Motor or Hard Wired Motor Suitable for Home automation Integration	

Options

Head Box System	Materials	End Caps: Cast Aluminium and Stainless Steel	
		Extrusion: Extruded Aluminium	
	Dimensions	150 mm x 150 mm 115mm x 115mm	
	Colours	White, Black, Silver Anodised	
	Minimum Width	1000 mm	
Side Channel		U-Channel	L-Channel
	Materials	Extruded Aluminium	Extruded Aluminium
	Dimensions	44.72 mm x 42 mm	40 mm x 40 mm x 16 mm
	Colours	White, Black, Silver Anodised	White, Black, Silver Anodised
	Maximum Drop	3400 mm	3400 mm

Veromax Guidewire Systems



without Head Box



with Head Box

Veromax Verolock Systems



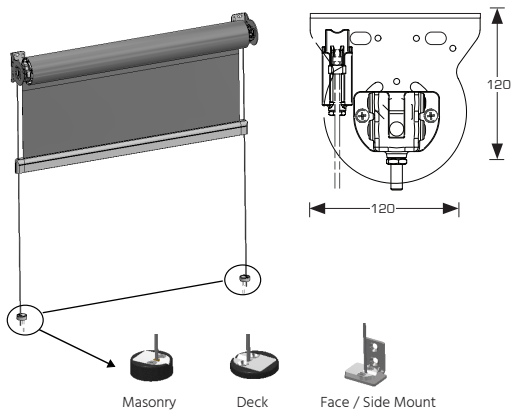
without Head Box



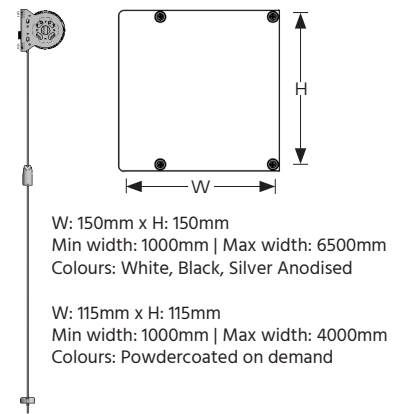
with Head Box

System Diagrams

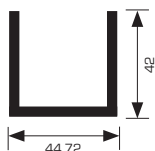
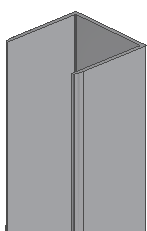
Guide Wires



Head Box: Brackets



U-Channel



L-channel

