

## A4350 Series Curtain Track

### Product Information

The Verosol **A4350 Series track** is a heavy duty hand drawn tracking system suitable for medium and heavy duty drapery. Suitable for both commercial and residential applications, the profile when installed is designed to look the same from both inside and out.

Selecting the right curtains requires pairing two elements: drape and track. When selecting Curtains, you will need to consider the functionality and combination of fabrics including the header types and tracks for the space.

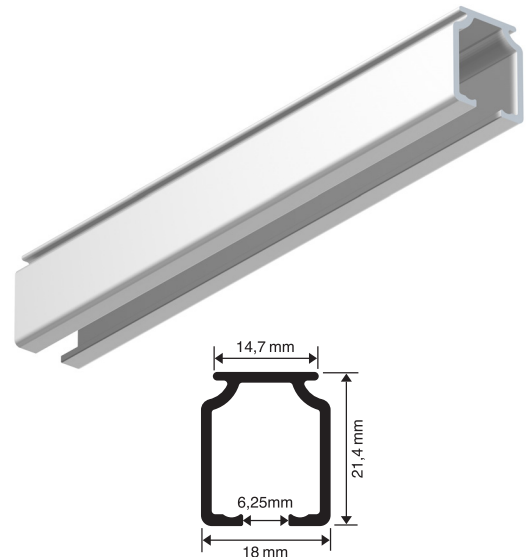
Drape selection should take into consideration the heading style of the curtain and finished look. Track selection will depend on installation requirement and drape fullness. Various fabrics and track combinations can provide thermal, acoustic and ambience to any room.

Our team of curtain and blind experts are available to assist you in making the right choice for your needs.

### Further Information

For more information visit [verosol.com.au](http://verosol.com.au) or call **1800 721 404**

### Technical Information



Product Name	A4350 Series Curtain Track	
Product Code	C201.0	C201.0
Operation	Hand Operated	Wand Operated
Dimensions	Track Width: 14.7mm x Track Height: 21.4mm	
Extrusion	Track Length 6000mm	
Material	Extruded Aluminium alloy 6060   267gms/mtr	
Colours	White	
Bending	Minimum Bend Radius: TBC	
Track Spec	<p>Verosol A4350 Series Curtain Track is suitable for both residential and commercial applications. Aluminium extrusion 14.7mm x 21.4mm, Standard profile length: 6000mm, Hand or Wand Operation, Suitable for medium to heavy weight curtains, Maximum curtain weight of 12kg per linneal metre. Ceiling and Face fixing with concealed bracket spaced minimum 600mm apart</p>	
Installation		