

## Automate Motorised Curtain Track

### 240V AC or 15V DC | Battery Operated Motorised Curtain Track System

#### Product Information

Verosol's **Automate** - One motor with two power options. Automate motorised curtain track provides you with the ultimate versatility. Available in Black & White.

**Automate's** modular design allows the option to power the track using either 240V AC or via 15V Low Voltage battery operation by simply adding an AC or Battery module to the base motor.

With our **Automate** motorised curtain systems you can control all your curtains easily via your smartphone or a remote control. Using our **Automate** battery motor, you can achieve the same result without the need for any electrical hard wiring.

Verosol's **Automate** motorised curtain track system provides: Soft start and close to protect your fabric allowing you to close your curtain by simply pulling on the fabric, plus the added security of manual override in case of power failure.



#### Further Information

For more information visit [verosol.com.au](http://verosol.com.au) or call **1800 721 404**

#### Technical Information

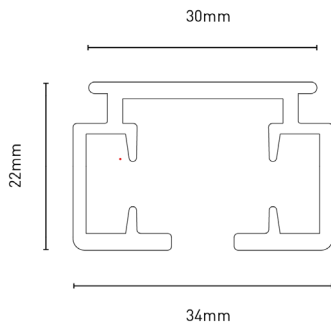
Product Code	C202.6	C202.6
Product Name	Automate 240V AC Motorised Curtain Track	Automate 15V Motorised Curtain Track
Motor Type	Mainss Powered	Battery Low Volatage
Nominal Torque [nm]	1.2	1.2
Adjustable Linnear Speed [cm/s]	14cm/s	14cm/s
Sound Level [dBA]	44	44
Voltage	240V 50Hz	15V
Supply	AC	DC
Maximum Current	1.3A	N/A
Adjustable Limits	Yes	Yes
Curtain Maximum Weight	50kg	50kg
Maximum Track Width [Mtr]	12mtrs (> 5.8mtrs with joiner)	
Control Method	Automate Pulse Hub & Smart Phone APP   Smart Phone control ARC Remote Controls	
Radio Frequency [MHz]	433.92	433.92
Thermal Time	12 minutes	12 minutes
Charging Voltage	N/A	5V DC (micro USB)
Index Protection Rating	IP20	IP20
Electrical Insulation	Class II	Class A
Temperature Working Range	-10° C to 50° C	-10° C to 50° C

Turn over for Motor & Track Drawings & Information

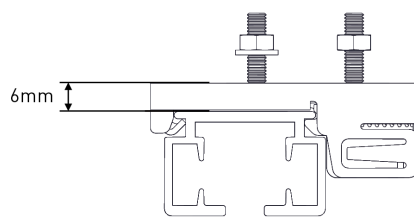
# Automate Motorised Curtain Track

## 240V AC or 15V DC | Battery Operated Motorised Curtain Track System

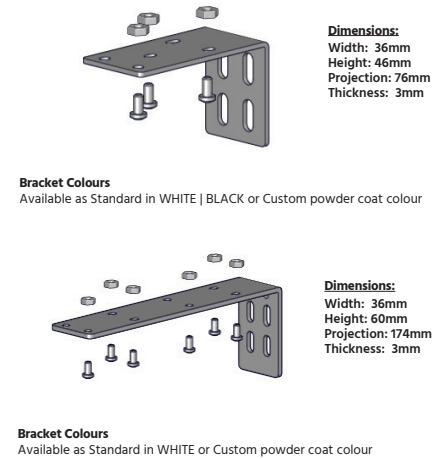
### Automate Curtain Track Dimensions



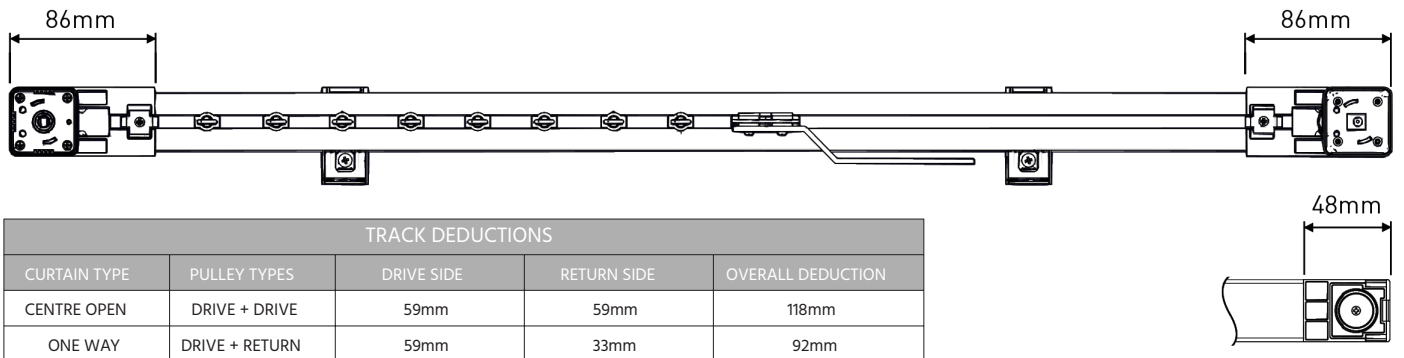
### Automate Curtain Track - Ceiling Mount



### Bracket Options - Single & Double

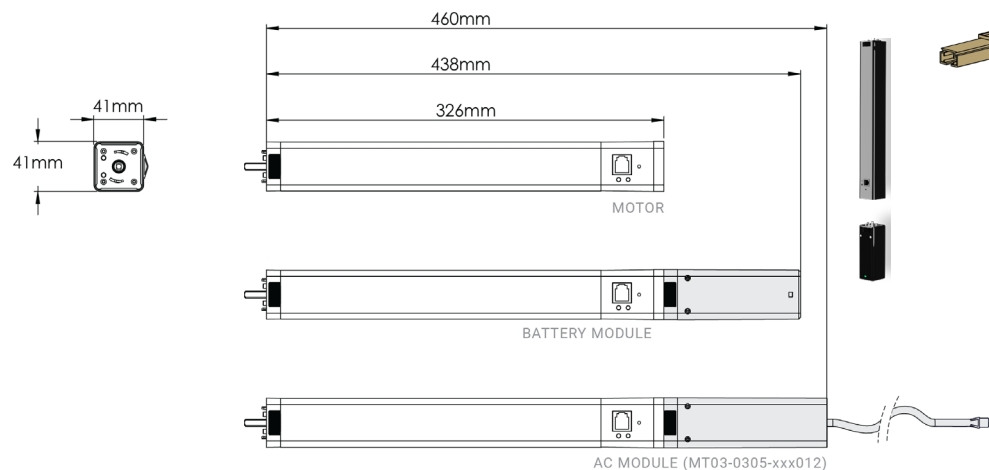


### Automate Curtain Track



TRACK DEDUCTIONS				
CURTAIN TYPE	PULLEY TYPES	DRIVE SIDE	RETURN SIDE	OVERALL DEDUCTION
CENTRE OPEN	DRIVE + DRIVE	59mm	59mm	118mm
ONE WAY	DRIVE + RETURN	59mm	33mm	92mm

### Motor & Module Types | Motor Dimension & Lengths



### Motor Mounting Options

